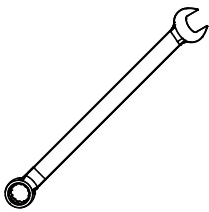
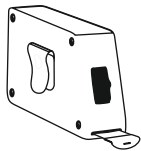
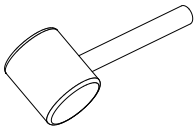
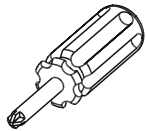
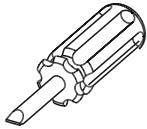
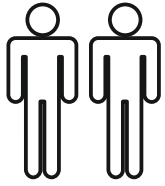
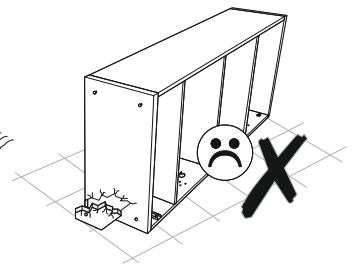
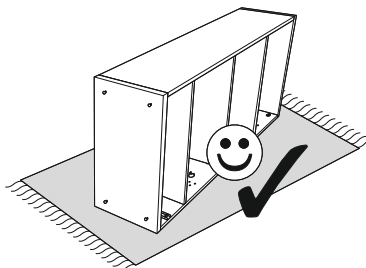
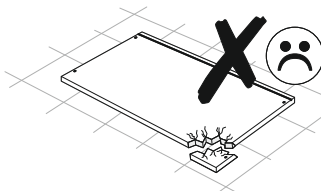
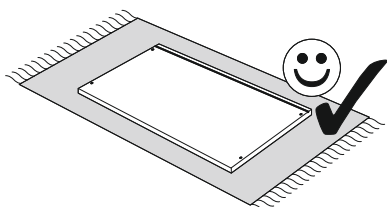
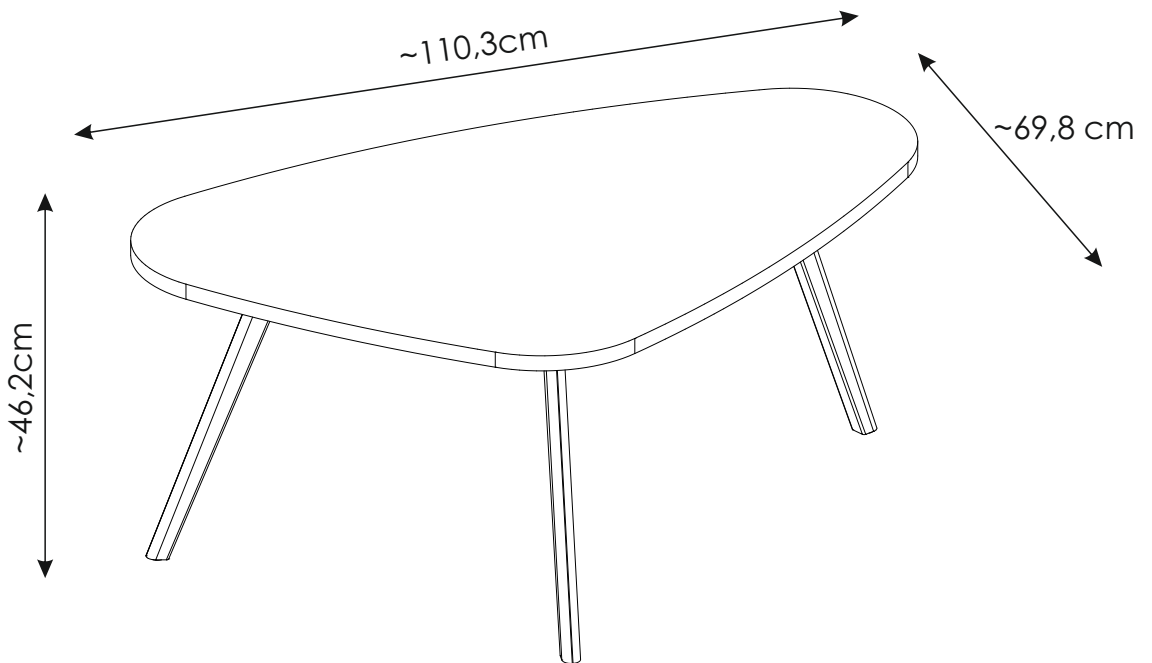
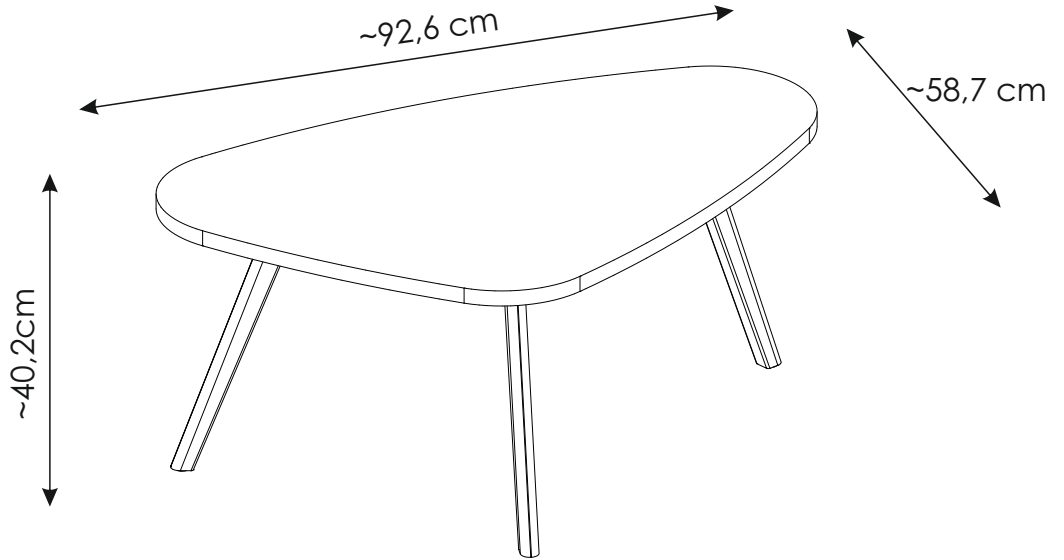
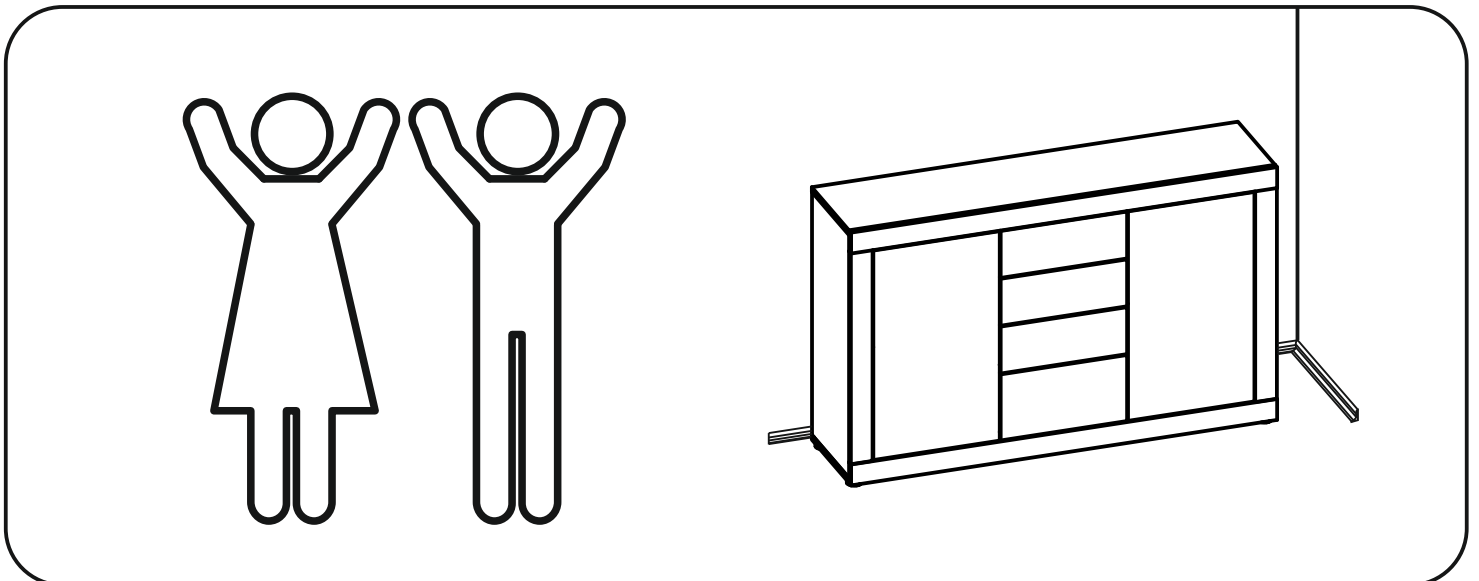
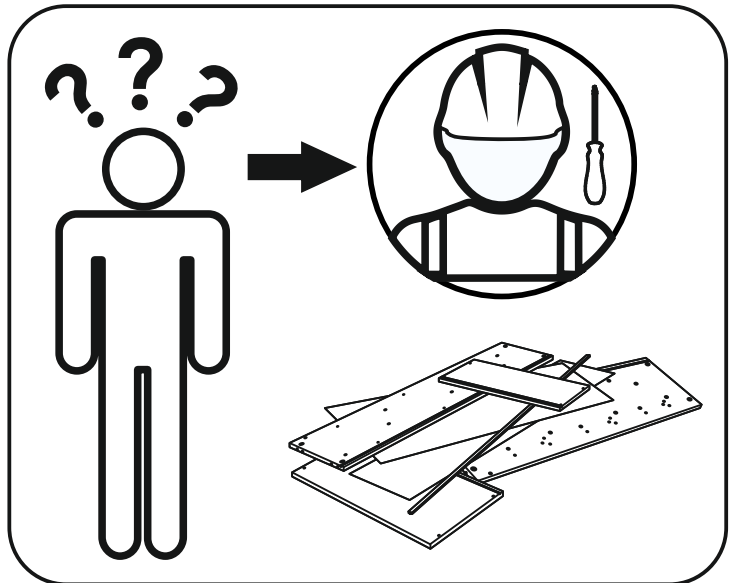
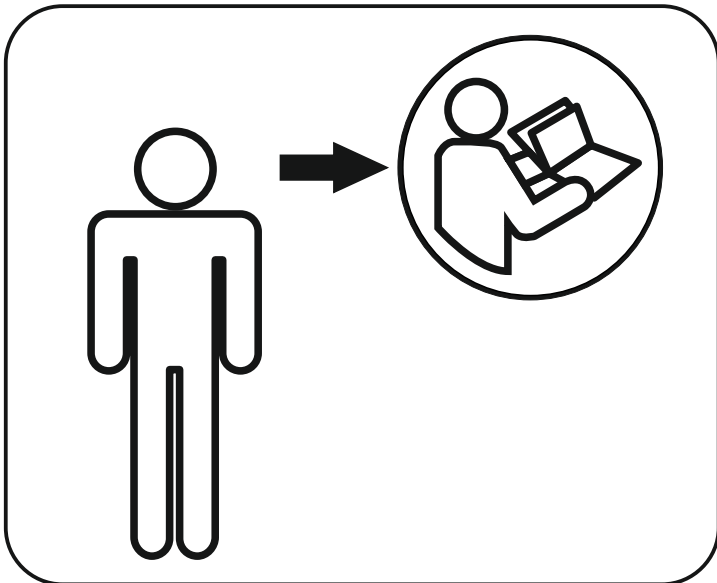
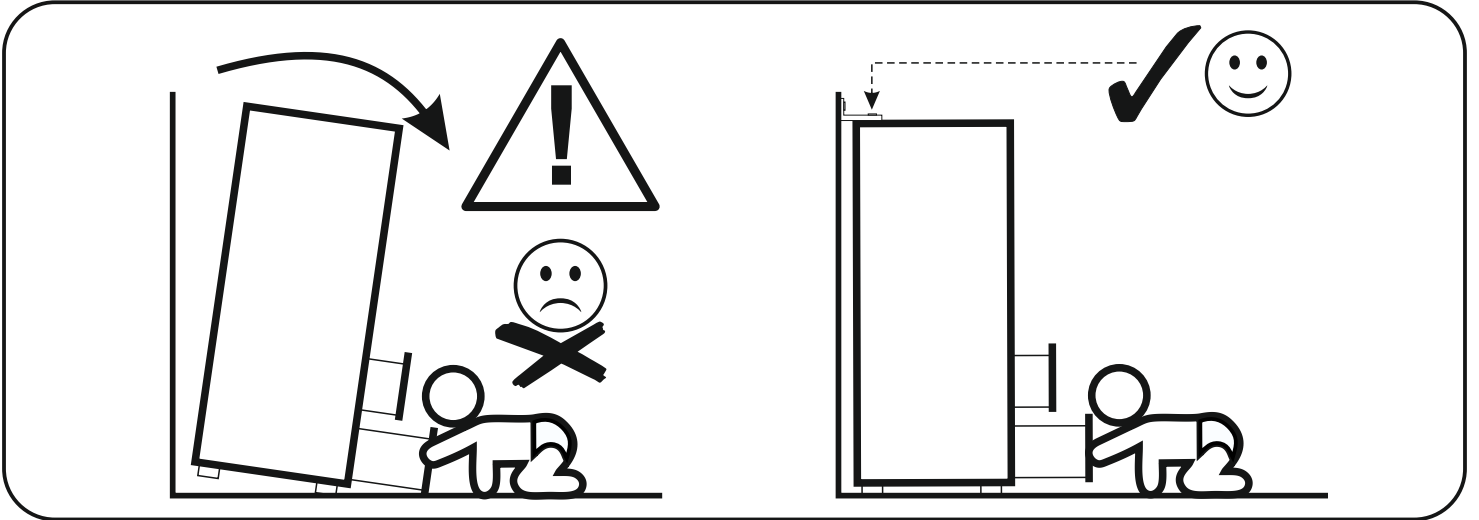
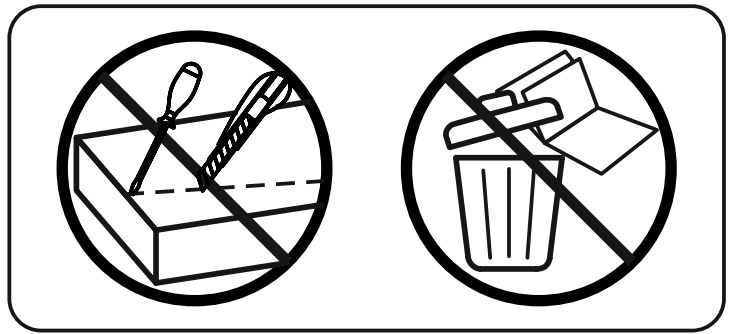
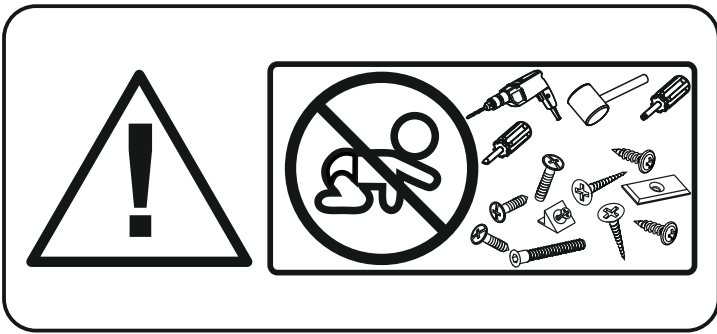


MWTT06

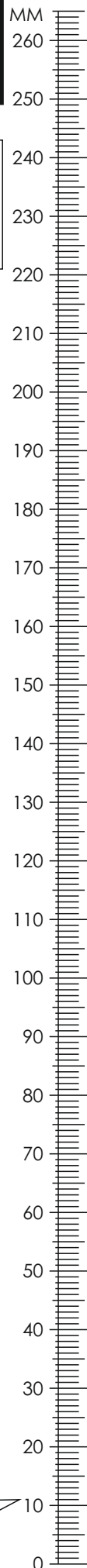


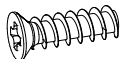



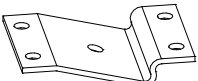
13 mm

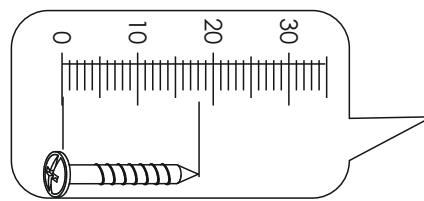




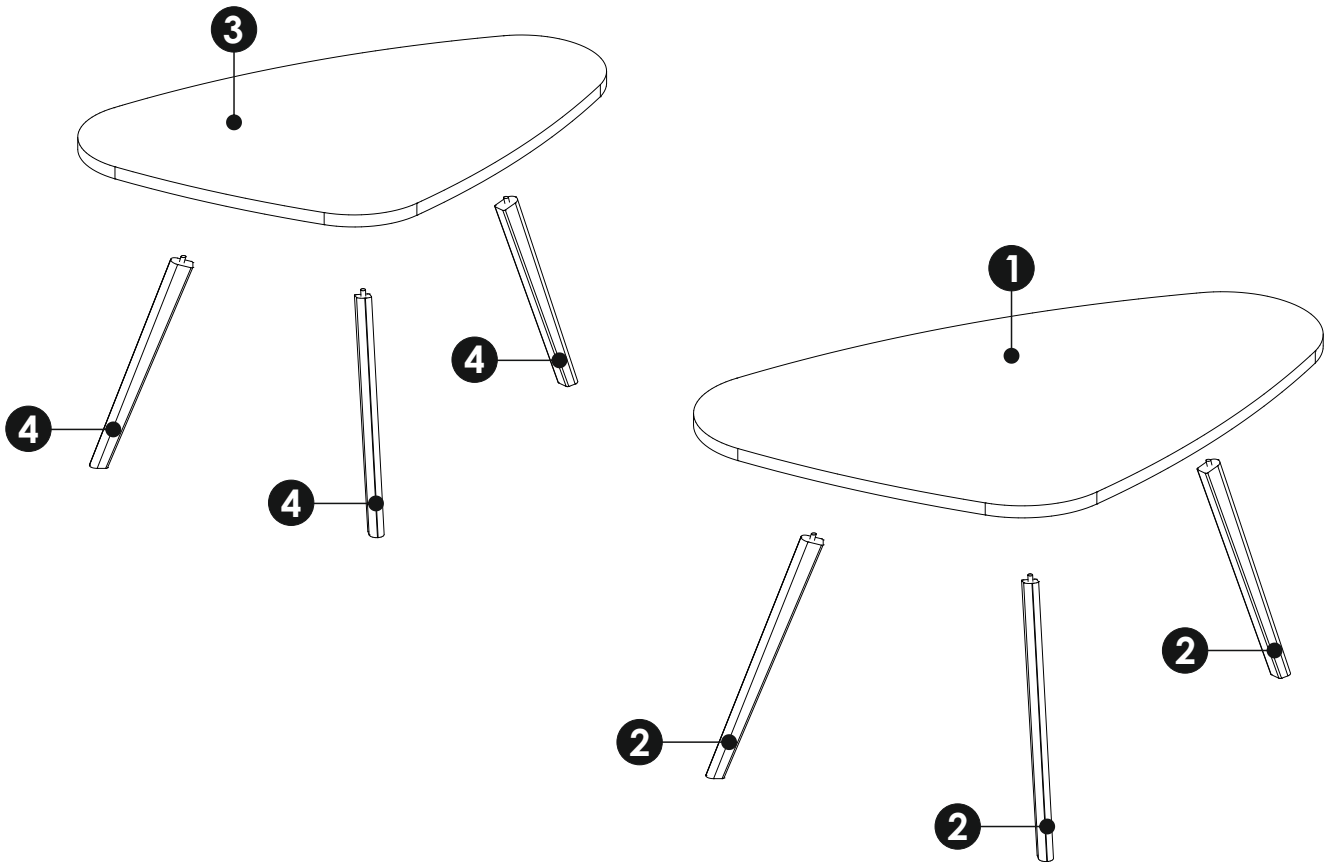
MWTT06



C8 6,3 x 20 mm x24 	KN8 M8 x6 	O2A ø20 x6 
S16 x6 	S20 x6 	

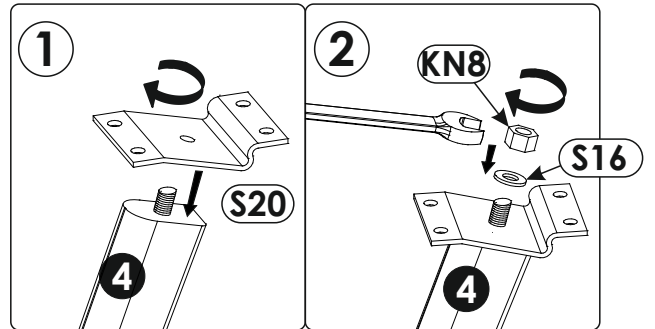
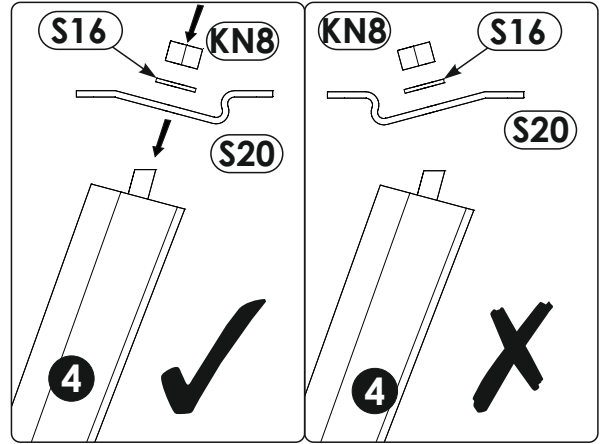
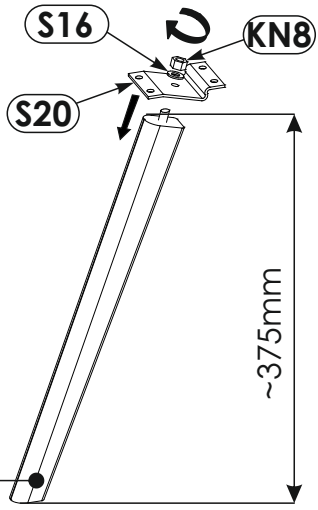
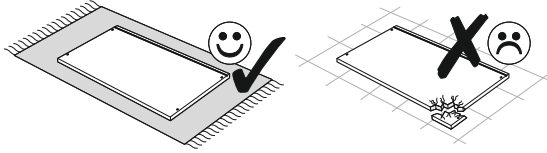


MWTT06

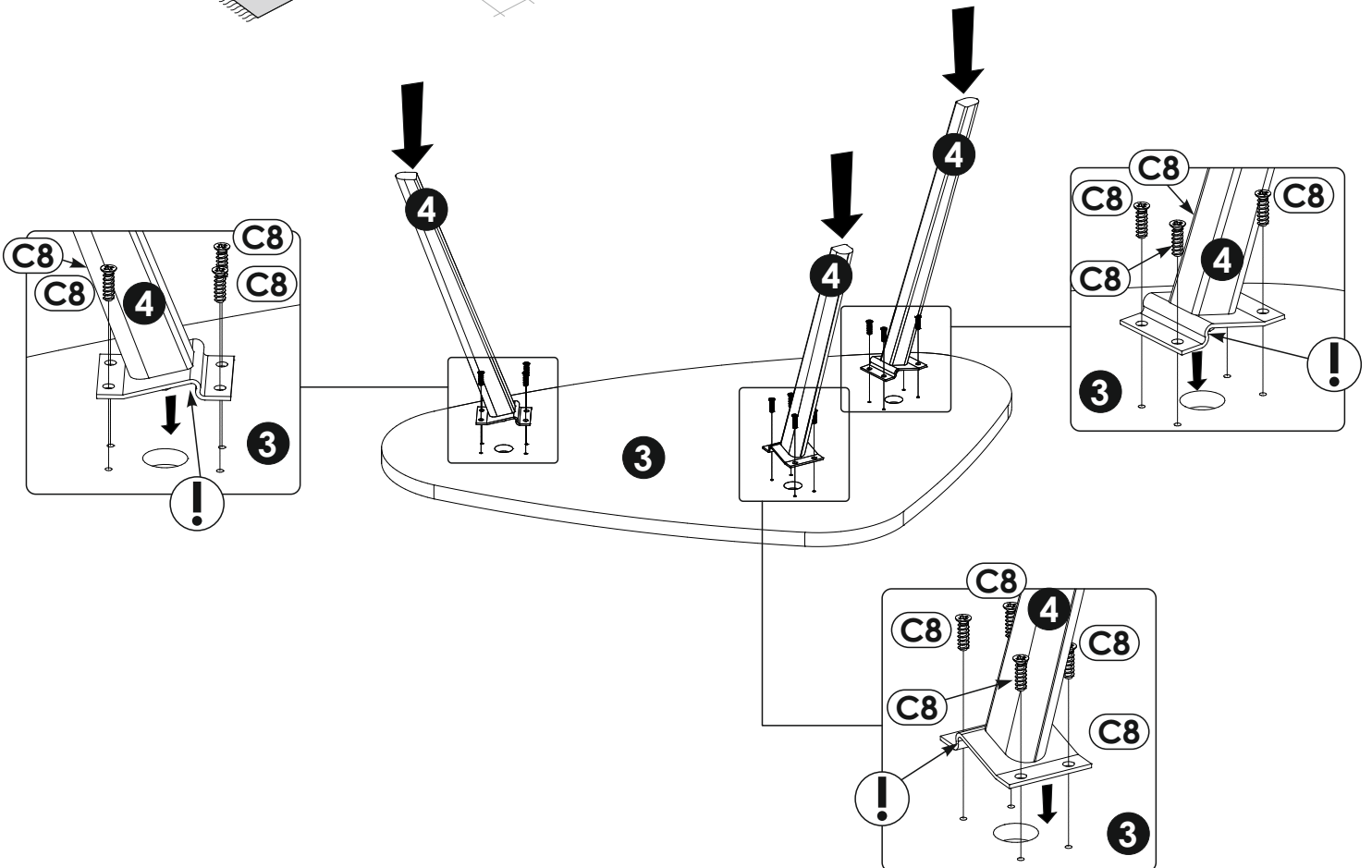
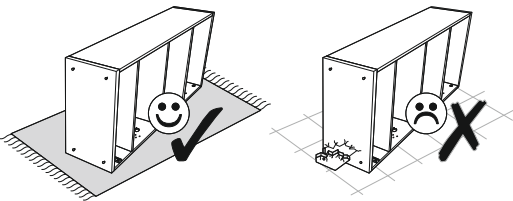


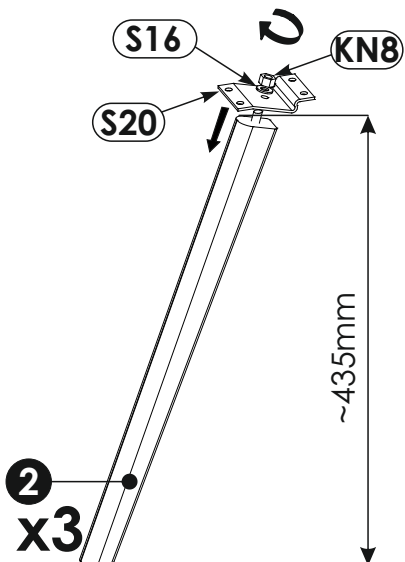
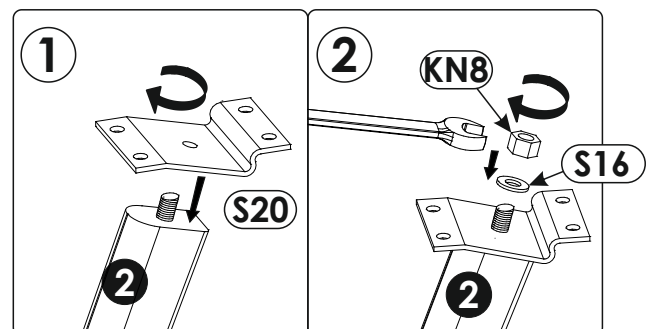
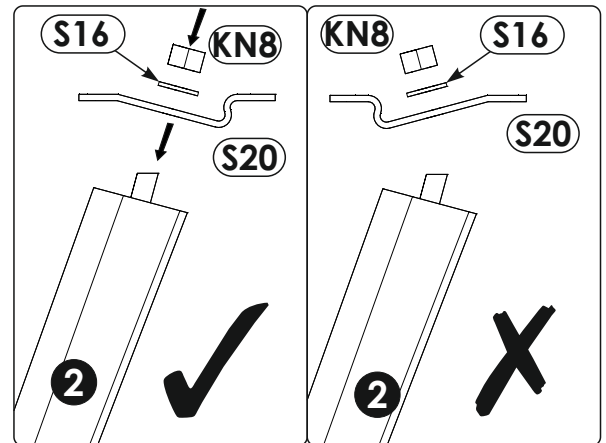
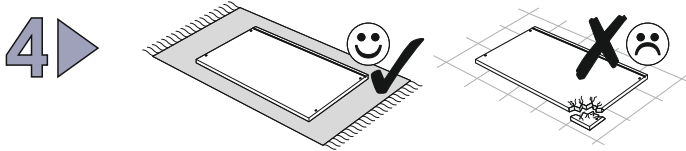
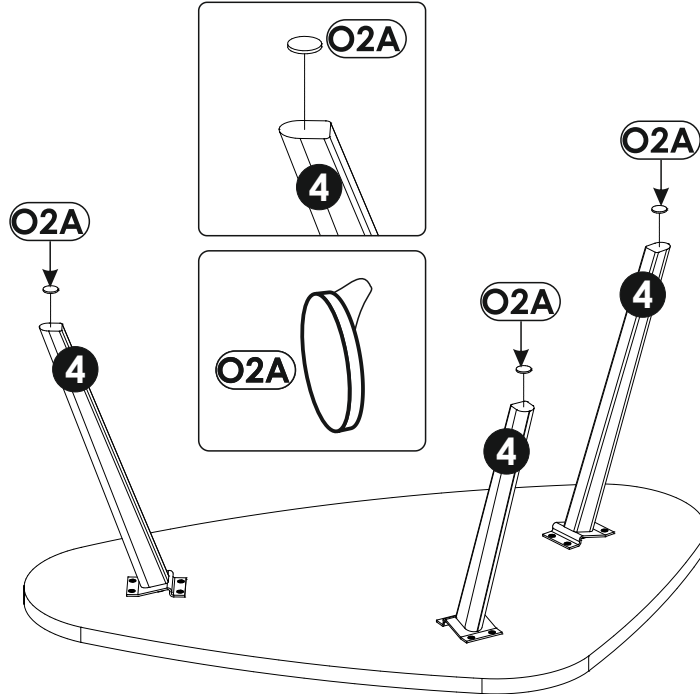
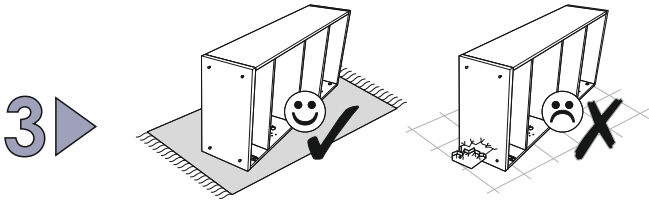
1	1104	708	22	x1	1/1
2	435	38	25	x3	1/1
3	928	596	22	x1	1/1
4	375	38	25	x3	1/1

1 ▶

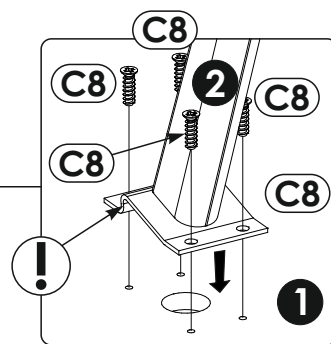
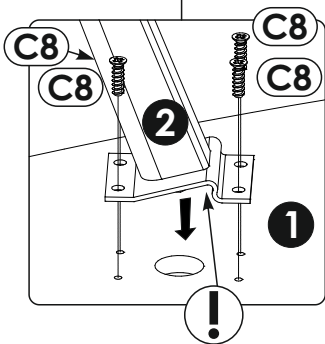
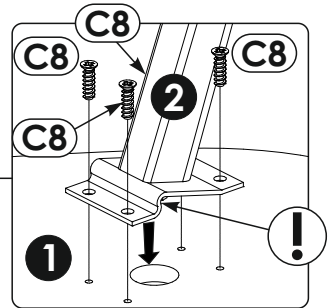
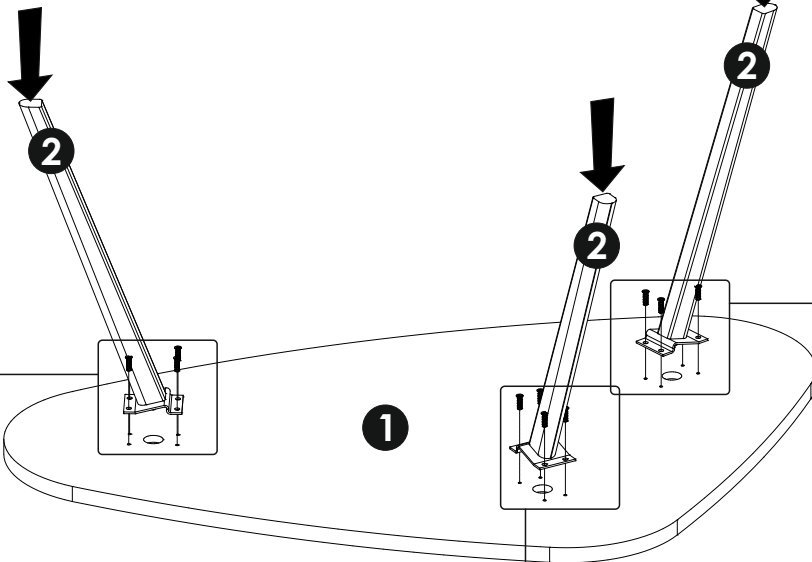
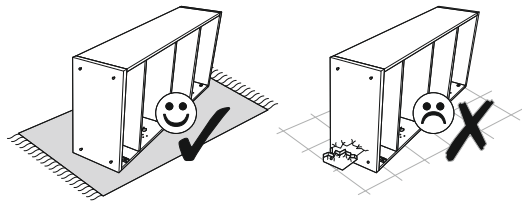


2 ▶

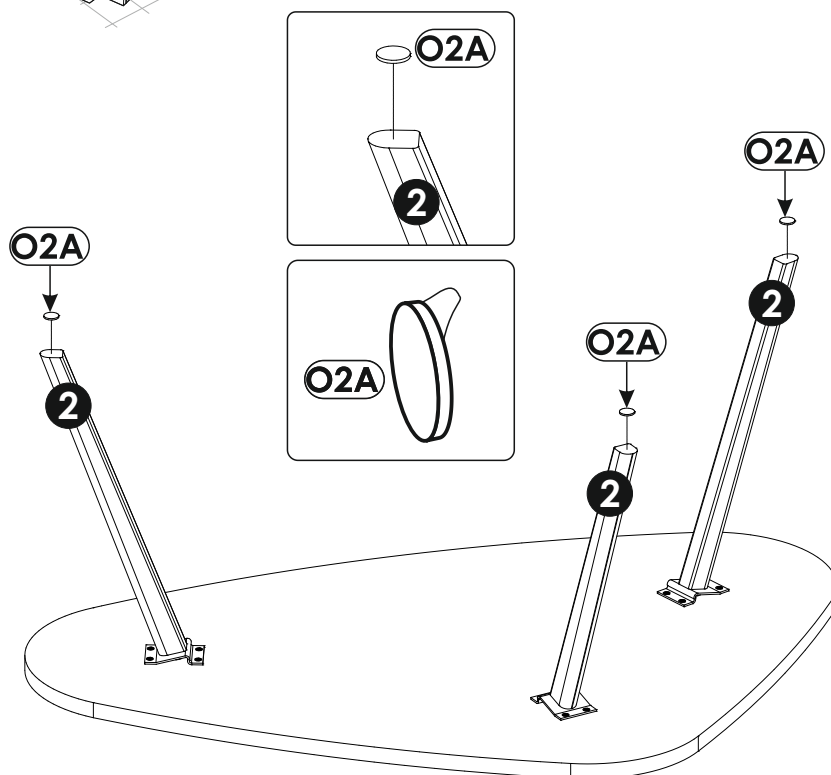
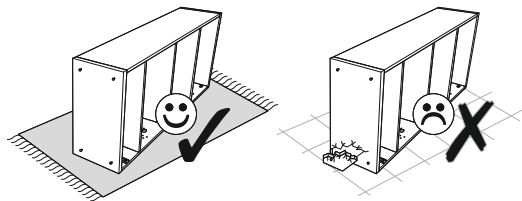




5 ▶



6 ▶



7 ▶

