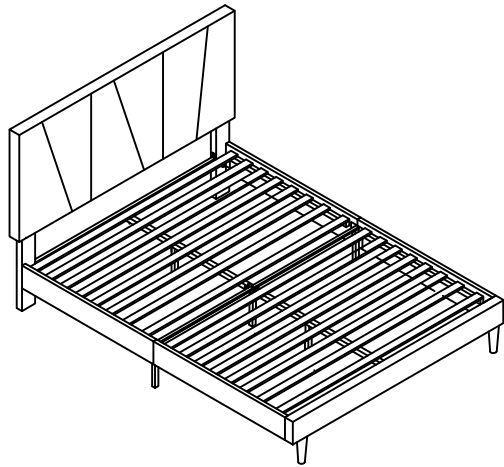
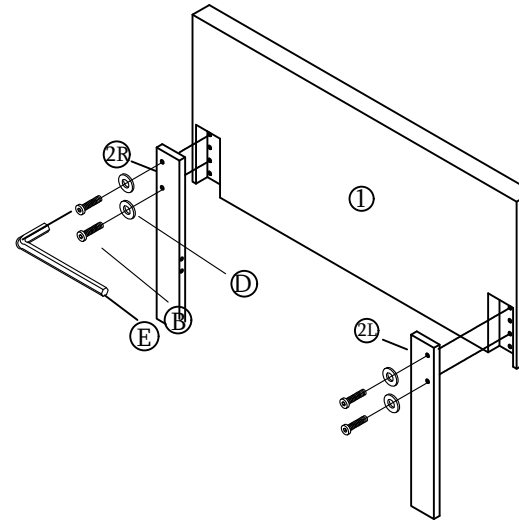


ASSEMBLY INSTRUCTIONS
ITEM NO: MLM-171066 QUEEN&FULL&TWIN



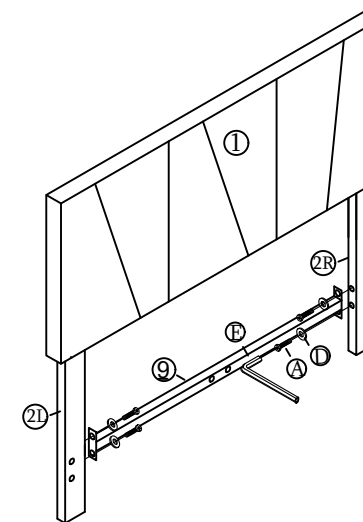
STEP: 1



PARTS LIST:

① Headboard 1pc	② 2L 2R HB Leg 2pcs	③ Footboard 1pc	④ Side Rail-L 2pcs	⑤ Side Rail-R 2pcs	⑥ FB Feet 2pcs
⑦ SideRail Feet 2pcs	⑧ Support Rail 2pcs	⑨ Crossband 1pc	⑩ Small Support Leg 2pcs	⑪ Big Center Support Leg 1pc	⑫ Center Crossband 1pc
⑬ Slats 16pcs					

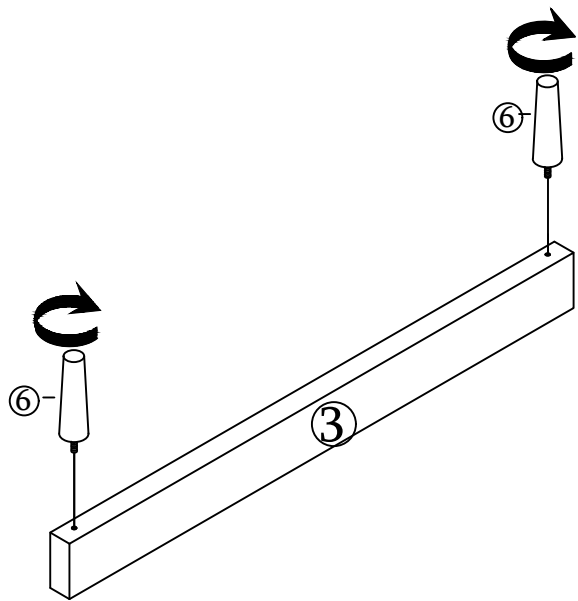
STEP: 2



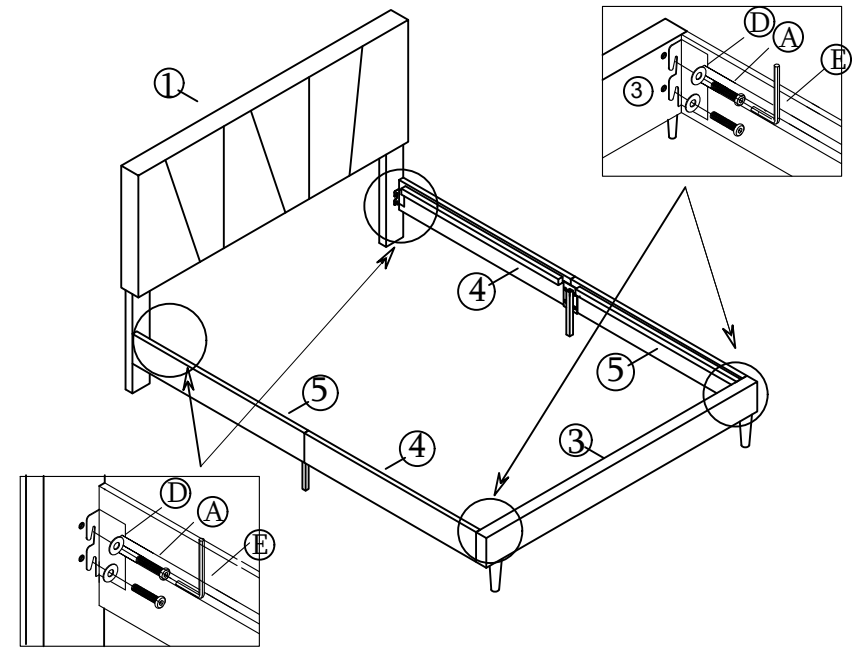
HARDWARE LIST:

A Bolt 5/16"x1" 14PCS	B Bolt 5/16"x2" 13PCS	C Bolt 5/16"x5/8" 8PCS	D Flat washer 5/16"x19mm 35PCS	E Allen Key 5/16" 1PC	F Nut 5/16" 2PCS
G Box wrench 5/16" 1PC					

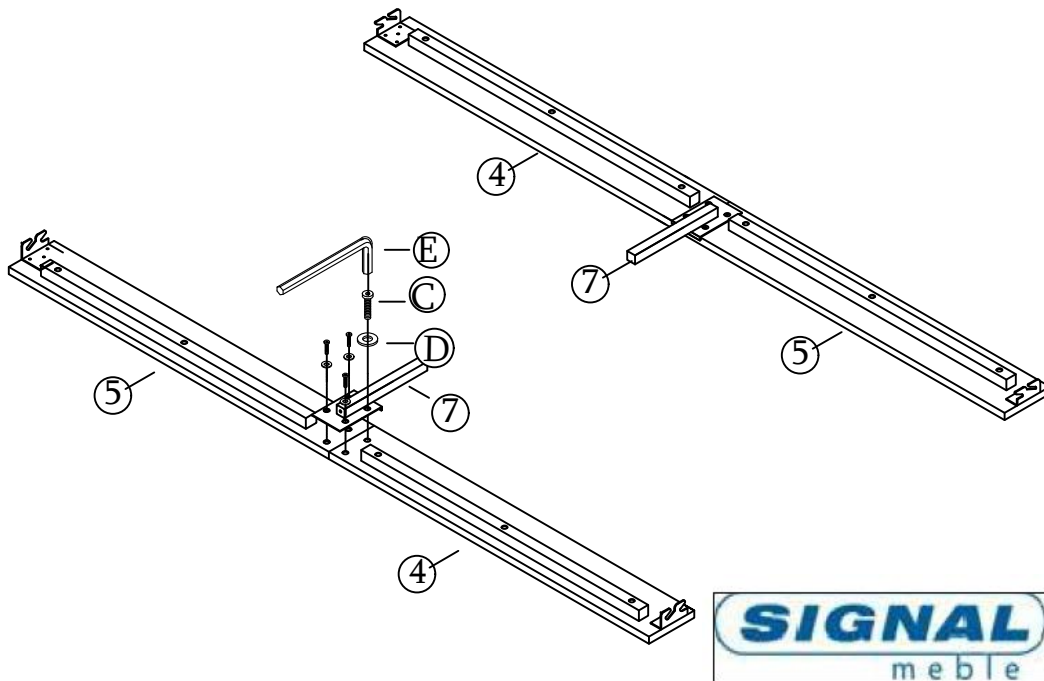
STEP: 3



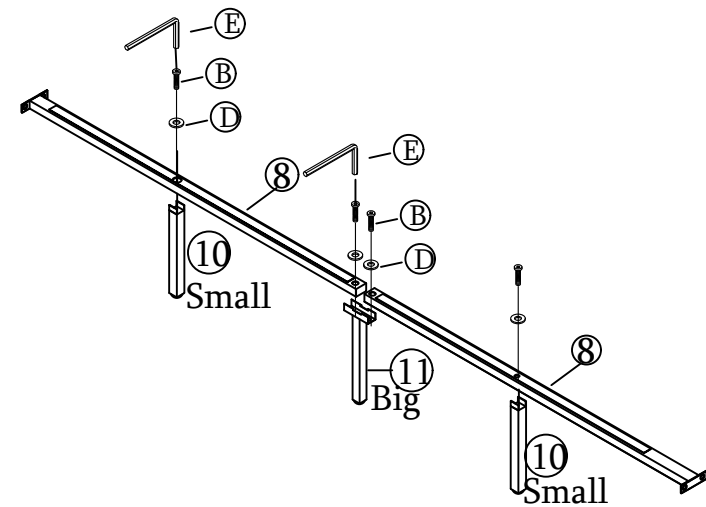
STEP: 5



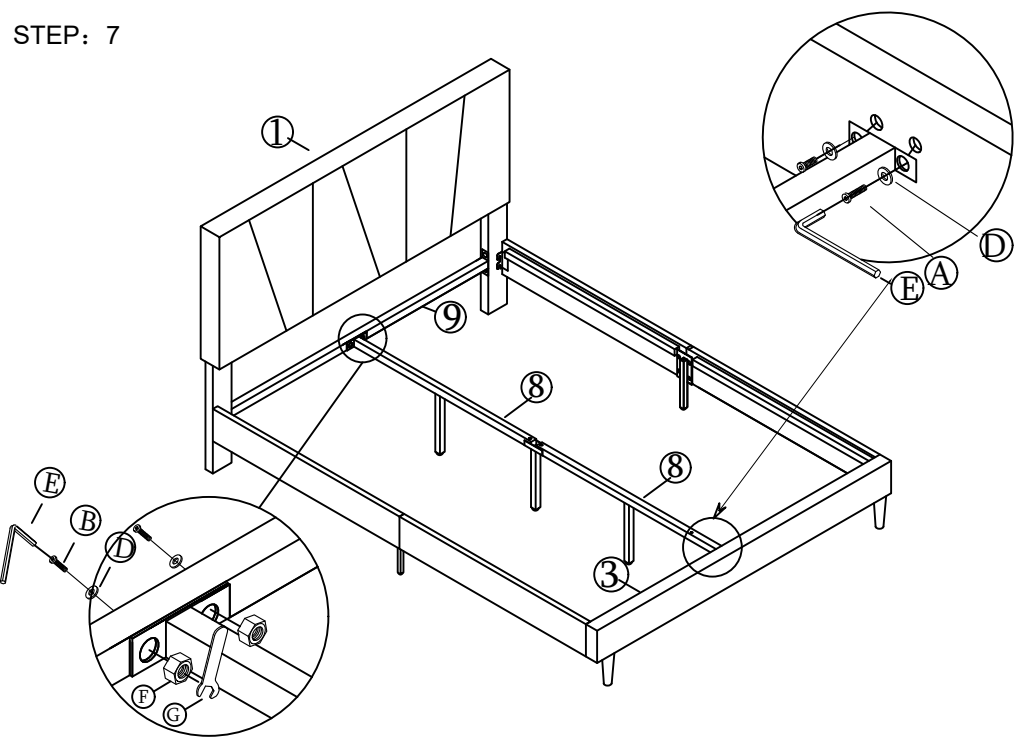
STEP: 4



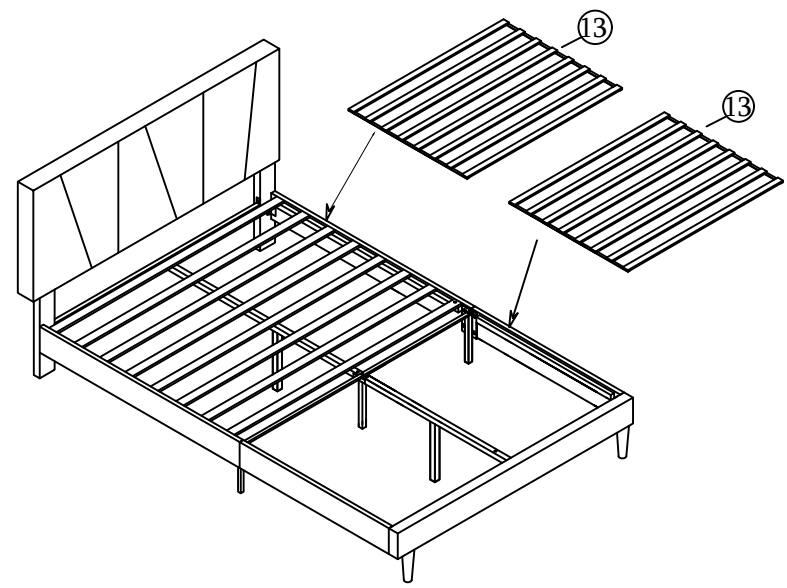
STEP: 6



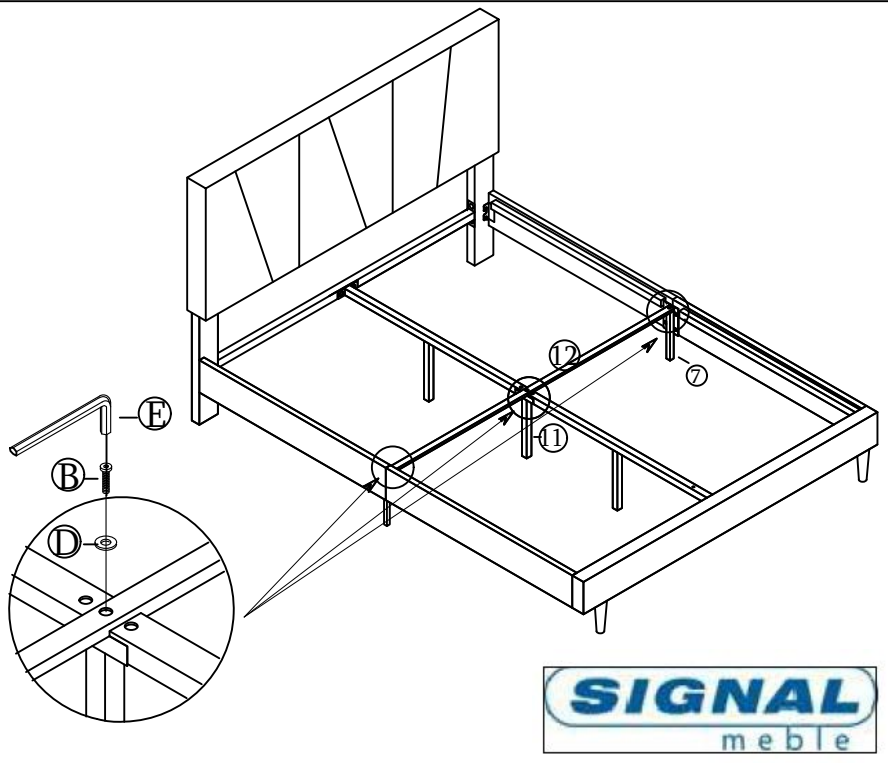
STEP: 7



STEP: 9



STEP: 8



STEP: 10

