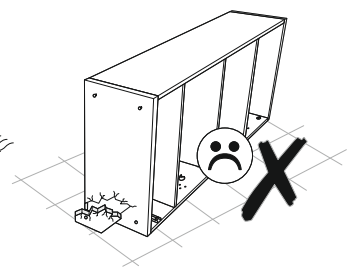
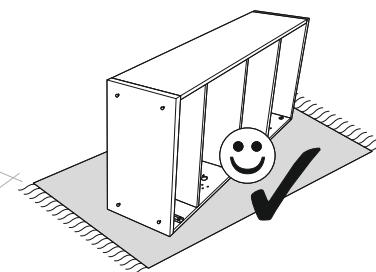
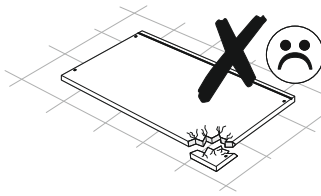
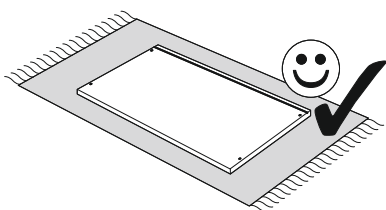
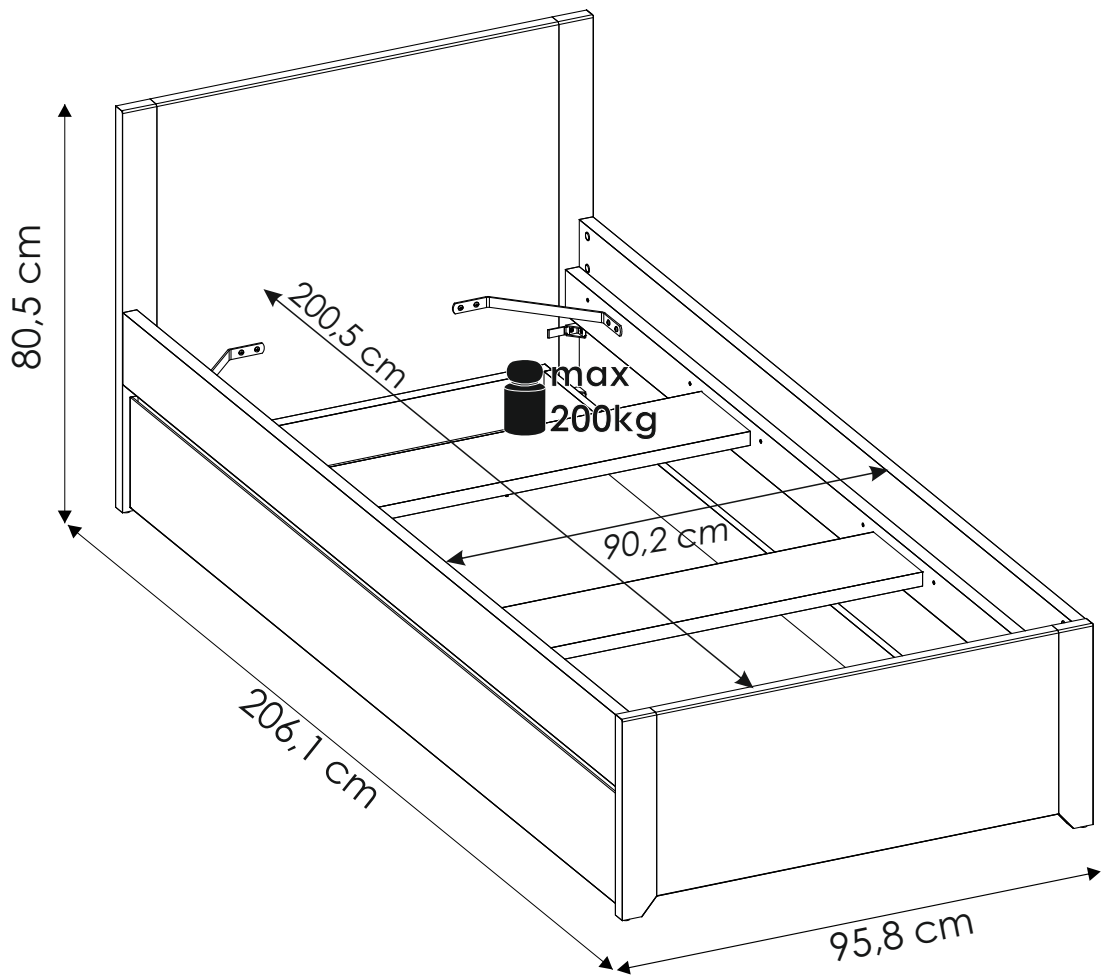
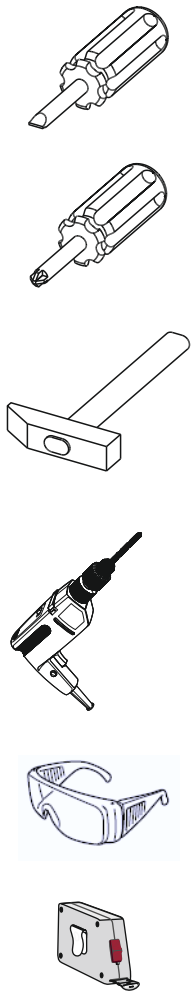
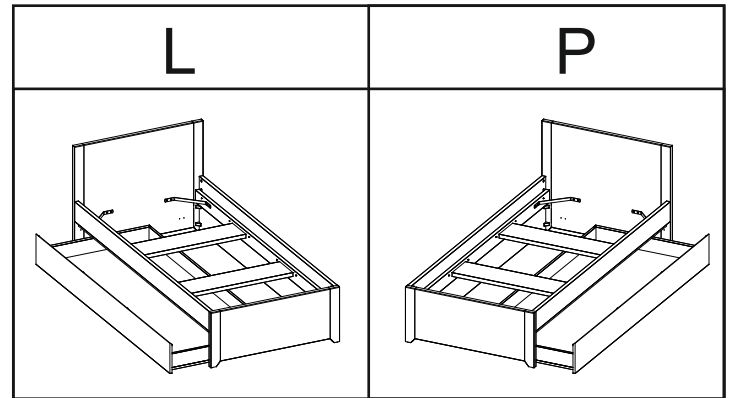
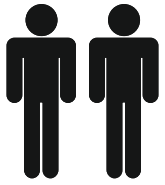
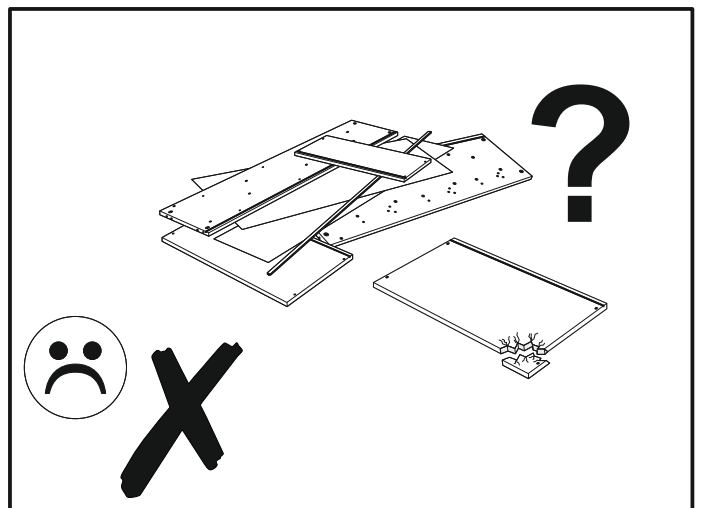
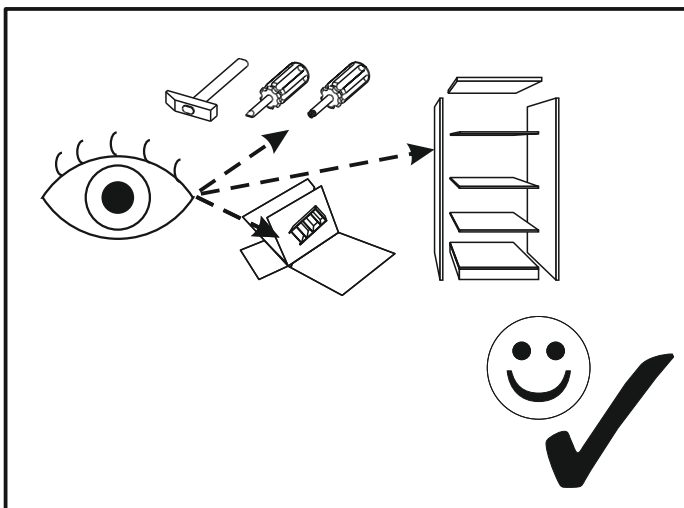
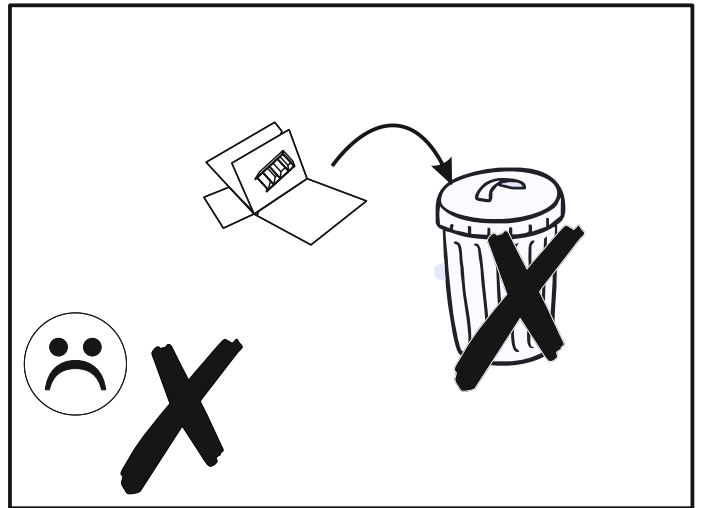
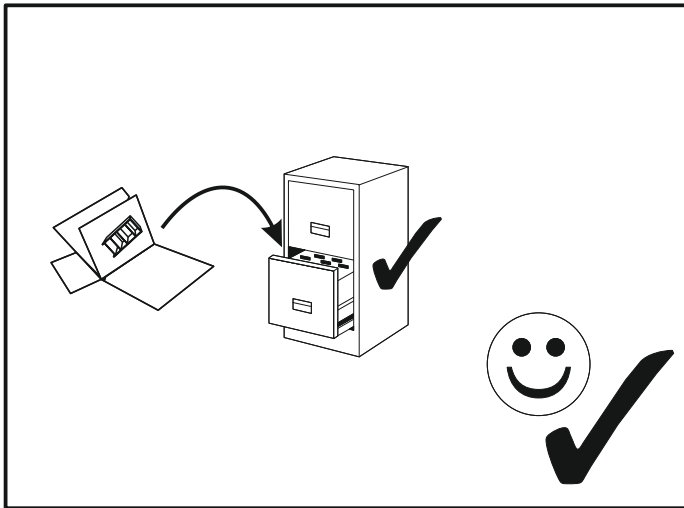
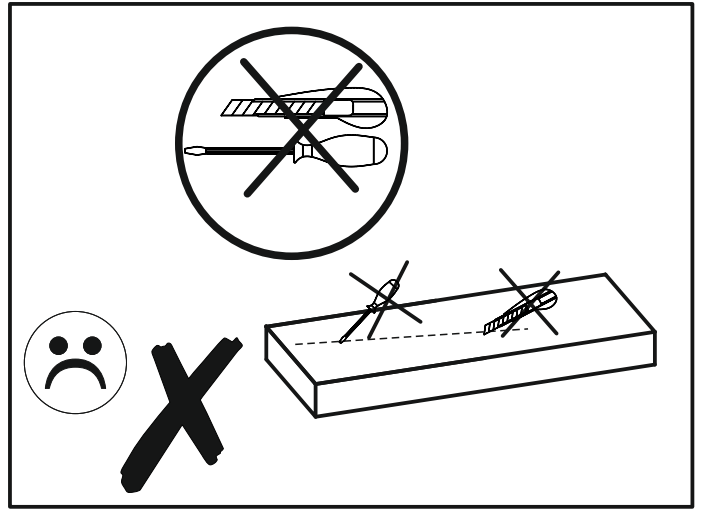
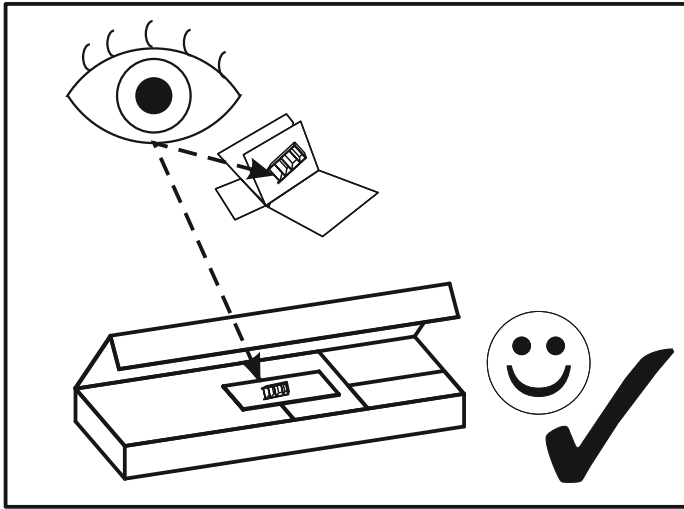
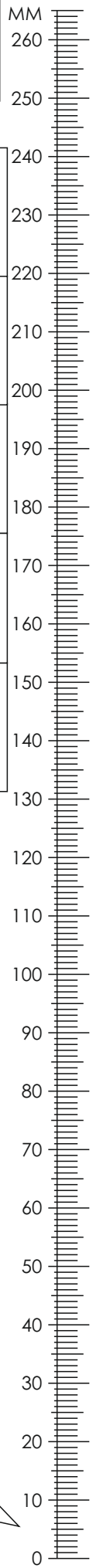


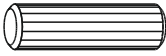
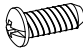
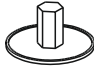



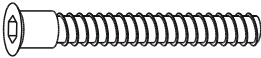

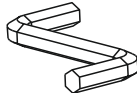

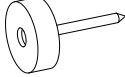


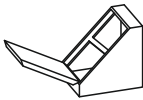

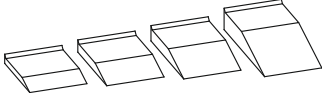
# ANGEL 90

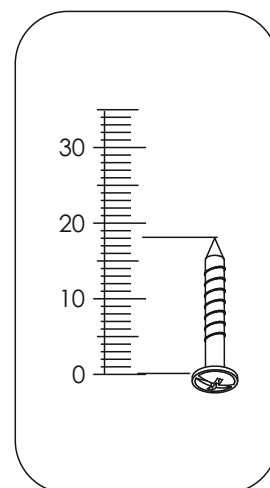




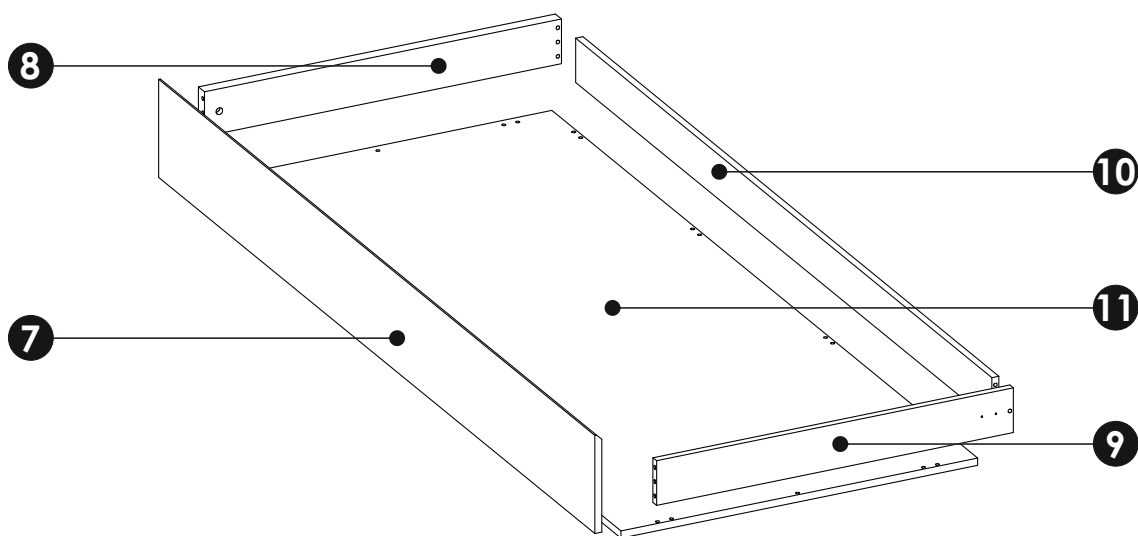
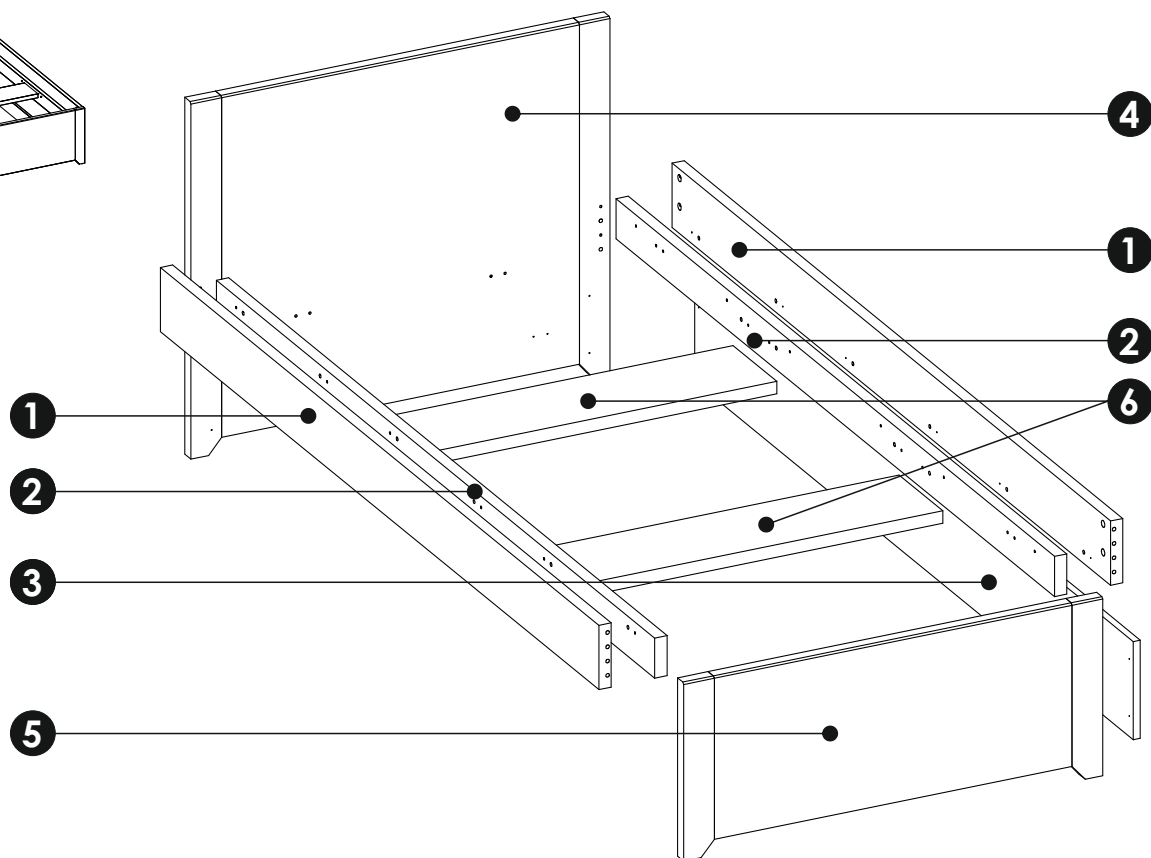
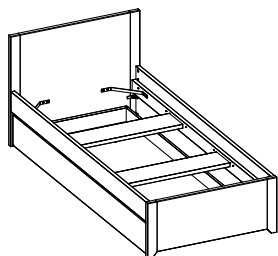
# ANGEL 90



<p><b>A1</b> x 48 <math>\varnothing 8 \times 35</math> mm</p> 	<p><b>C3</b> x16 6,3 x 16 mm</p> 	<p><b>E0</b> x 22</p> 
<p><b>E1</b> x 22 <math>\varnothing 15 \times 12</math> mm</p> 	<p><b>F1</b> x22</p> 	<p><b>G0</b> x 12</p> 
<p><b>G1</b> x12 <math>\varnothing 7 \times 50</math> mm</p> 	<p><b>I20</b> x 12 4 x 50mm</p> 	<p><b>M</b> x 1</p> 
<p><b>N2</b> x 28 3,5 x 16 mm</p> 	<p><b>O2</b> x 4</p> 	<p><b>O5</b> x 10</p> 
<p><b>R10</b> x 4</p> 	<p><b>W</b> x 4</p> 	<p><b>X4</b> x 4</p> 
<p><b>Z</b> x 1</p> 		



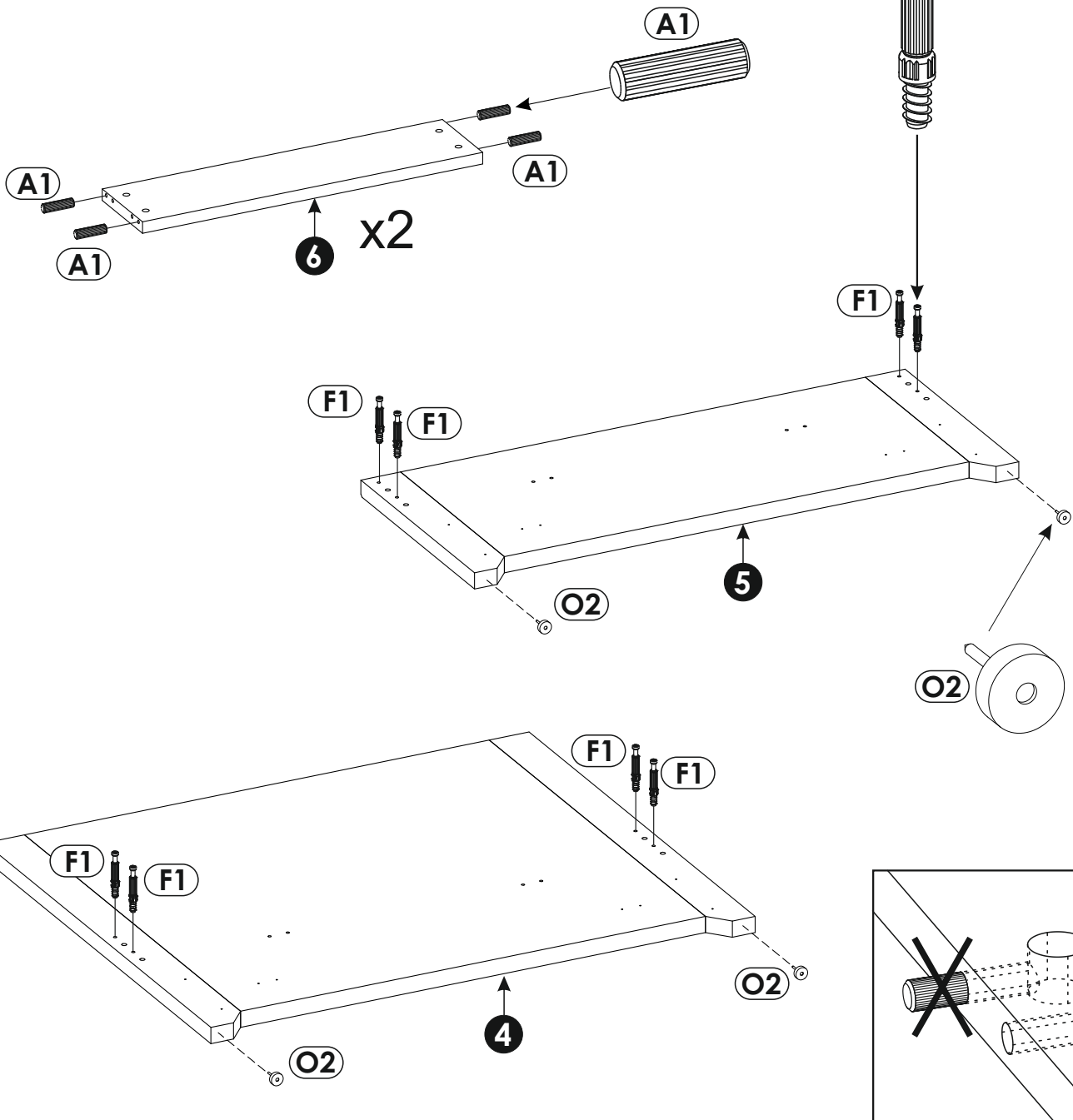
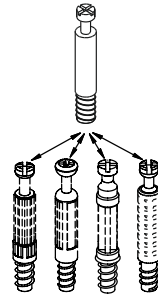
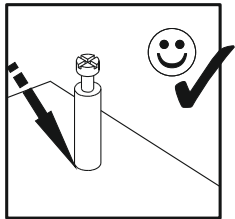
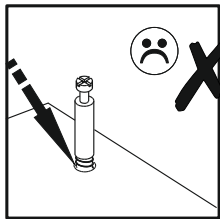
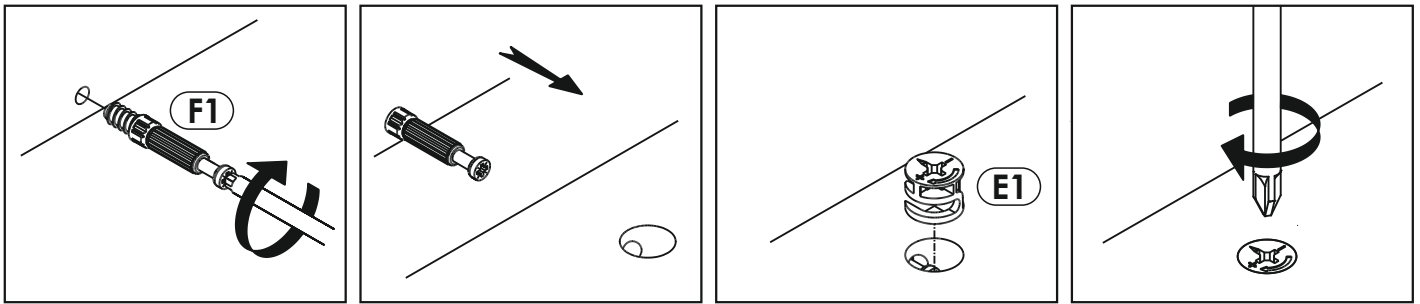
# ANGEL 90



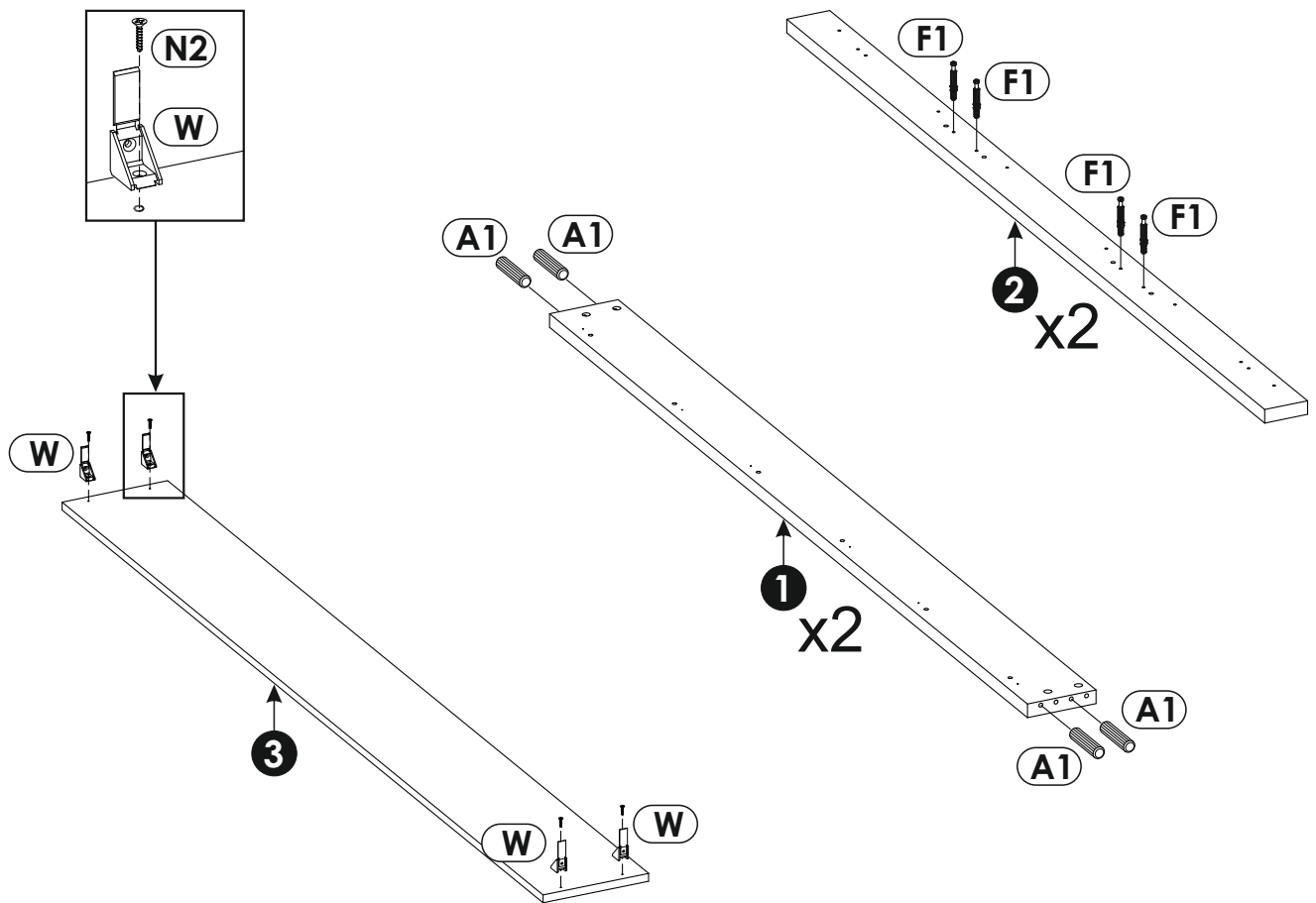
<b>1</b>	2005	144	28	x2	3/3
<b>2</b>	2005	90	28	x2	2/3
<b>3</b>	2005	220	16	x1	2/3
<b>4</b>	958	800	28	x1	1/3

<b>5</b>	958	400	28	x1	1/3
<b>6</b>	844	200	28	x2	1/3
<b>7</b>	1995	220	16	x1	2/3
<b>8</b>	816	100	28	x1	3/3

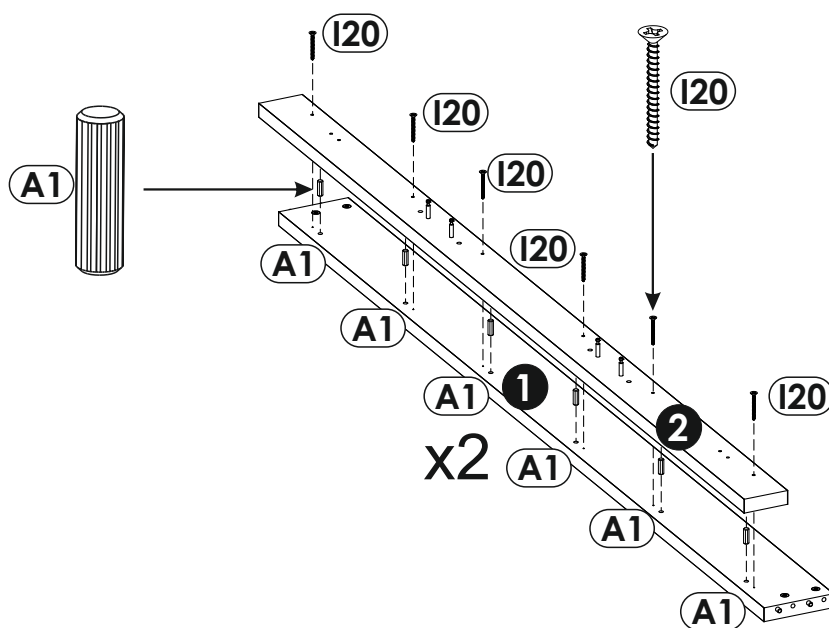
<b>9</b>	816	100	16	x1	2/3
<b>10</b>	1903	100	16	x1	2/3
<b>11</b>	1948	816	16	x1	3/3



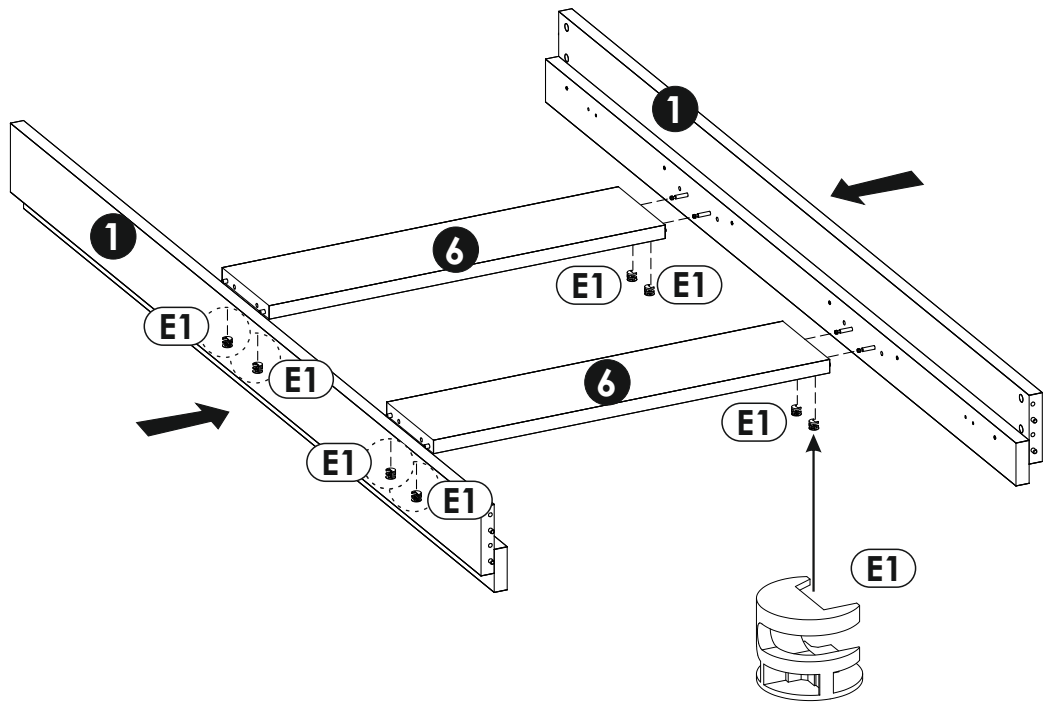
2 ▶



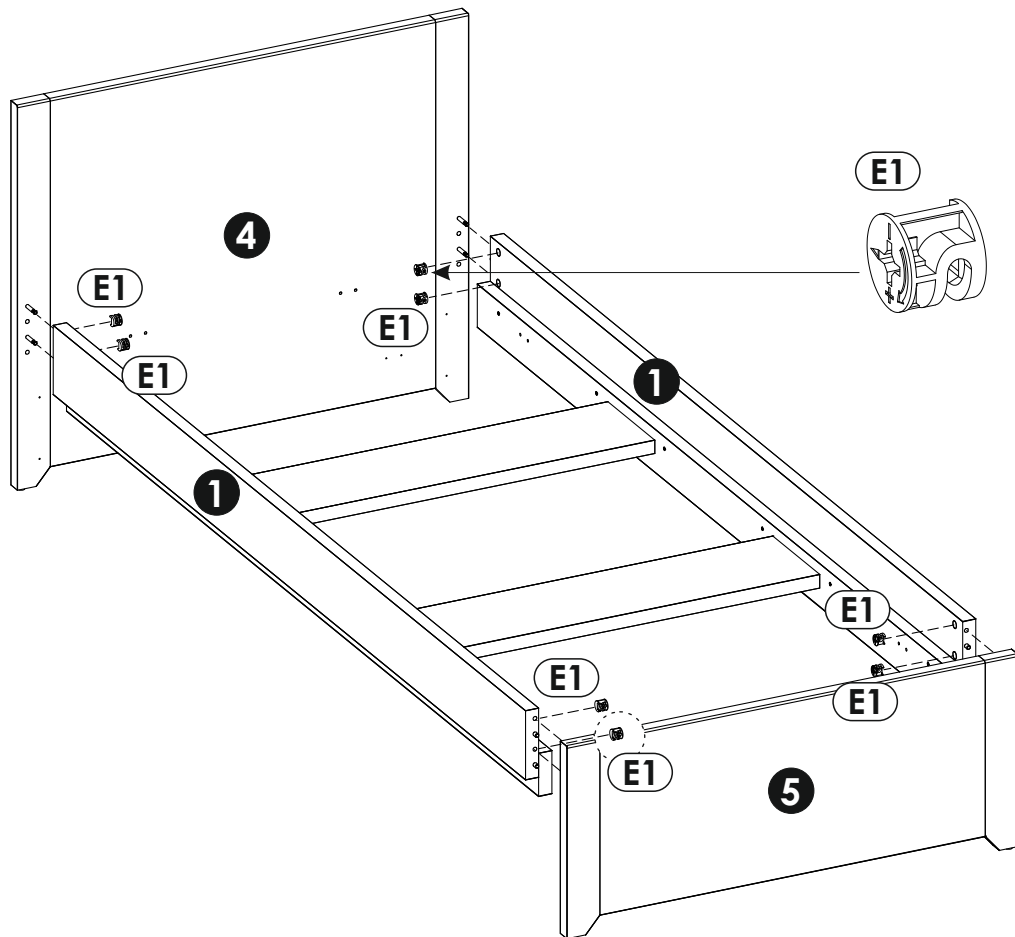
3 ▶



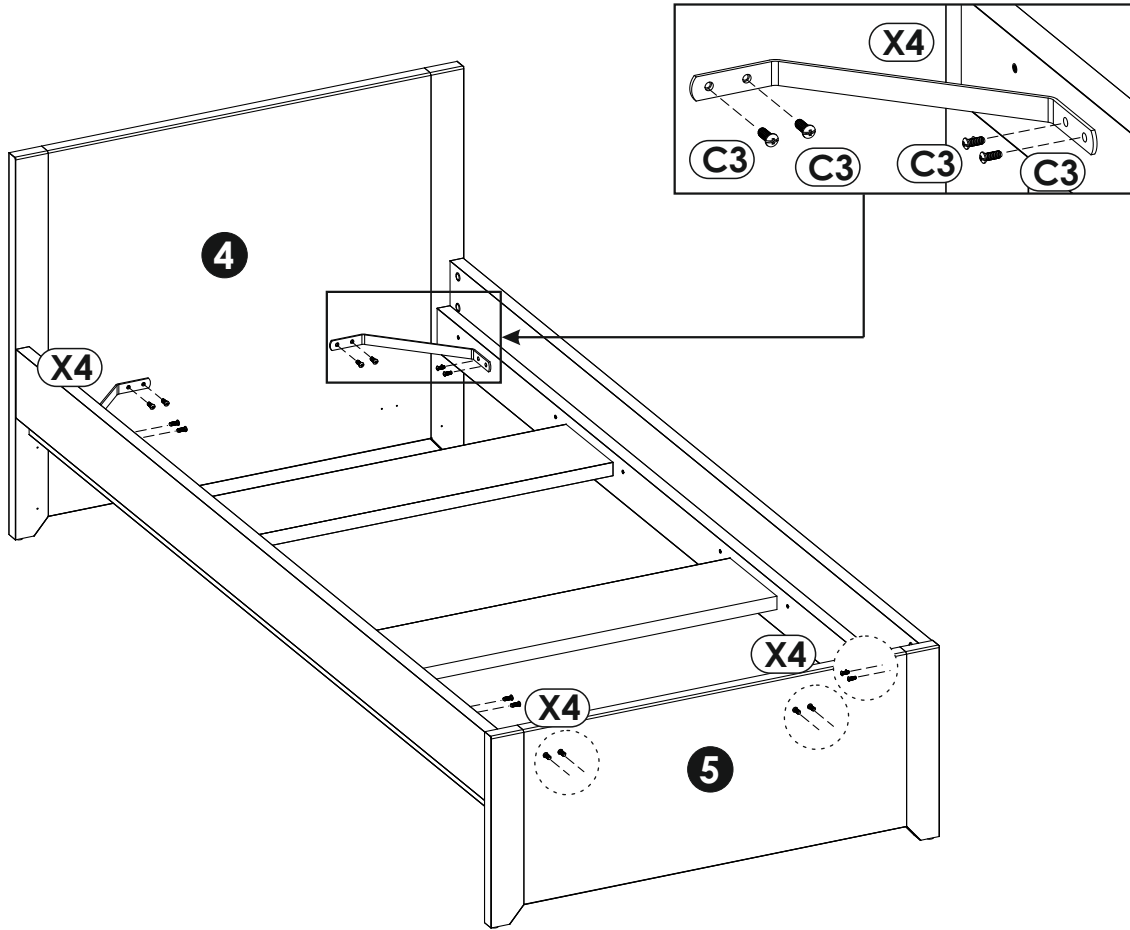
4 ▶



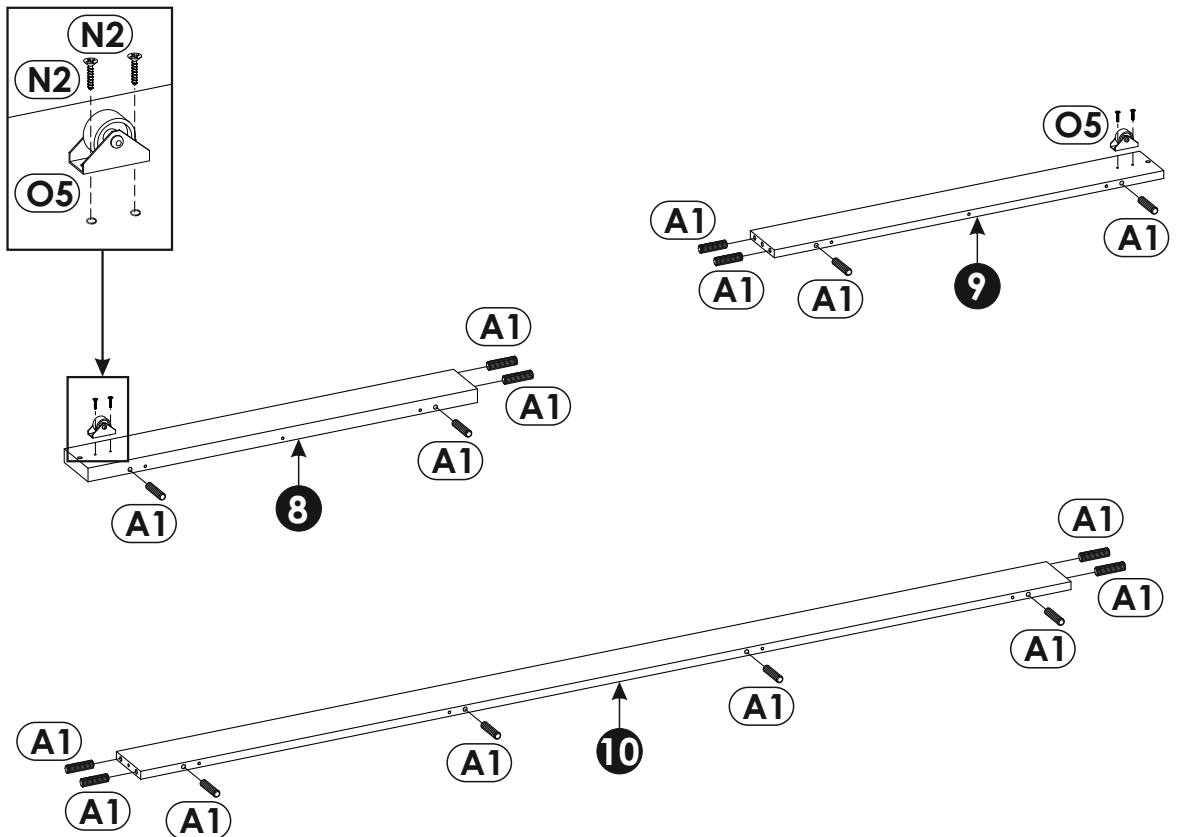
5 ▶



6 ▶

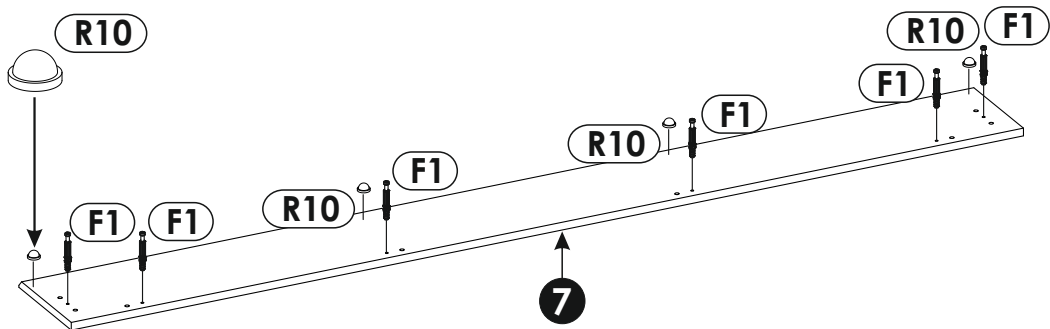
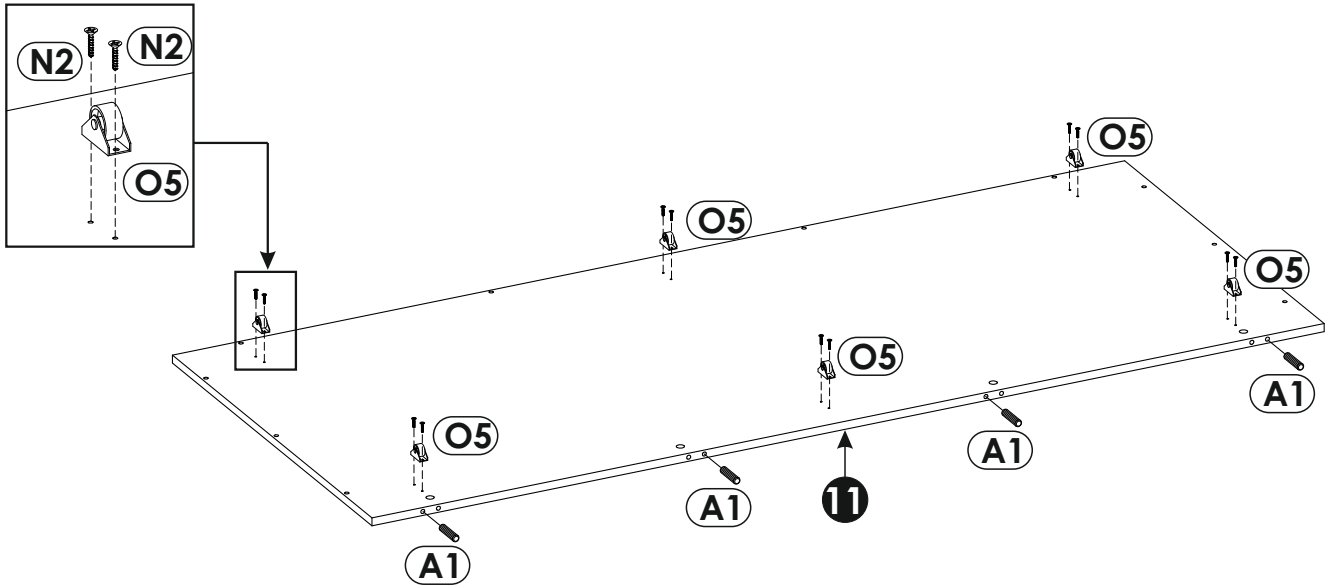


7 ▶

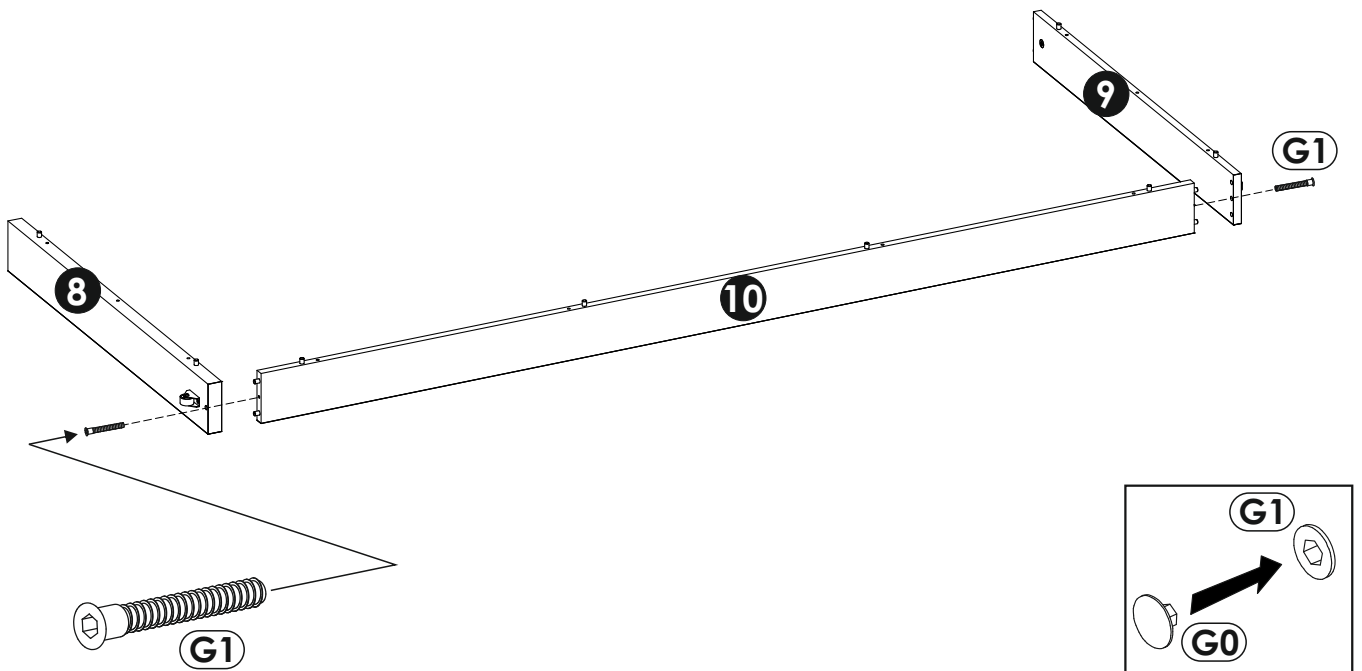




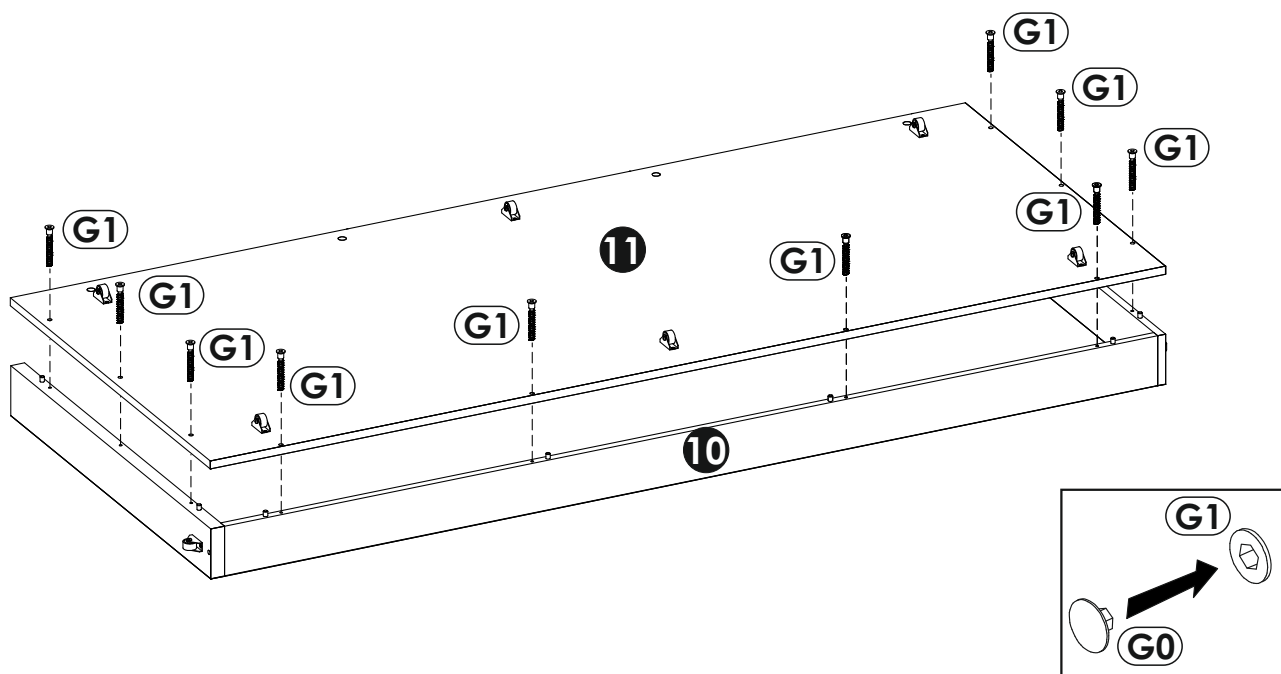
8 ▶



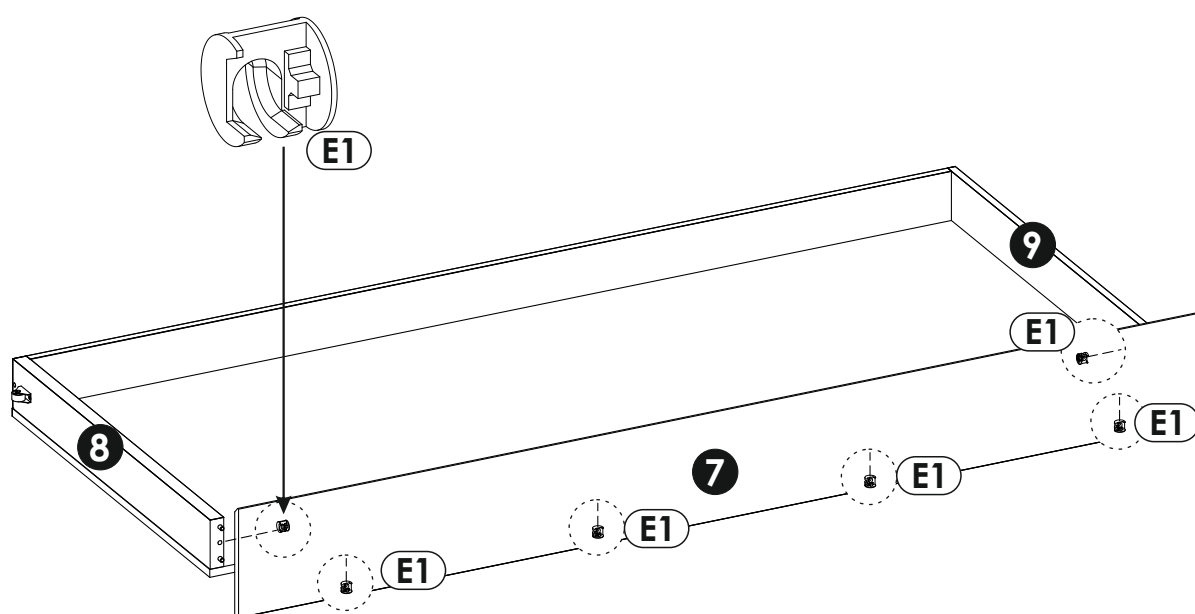
9 ▶



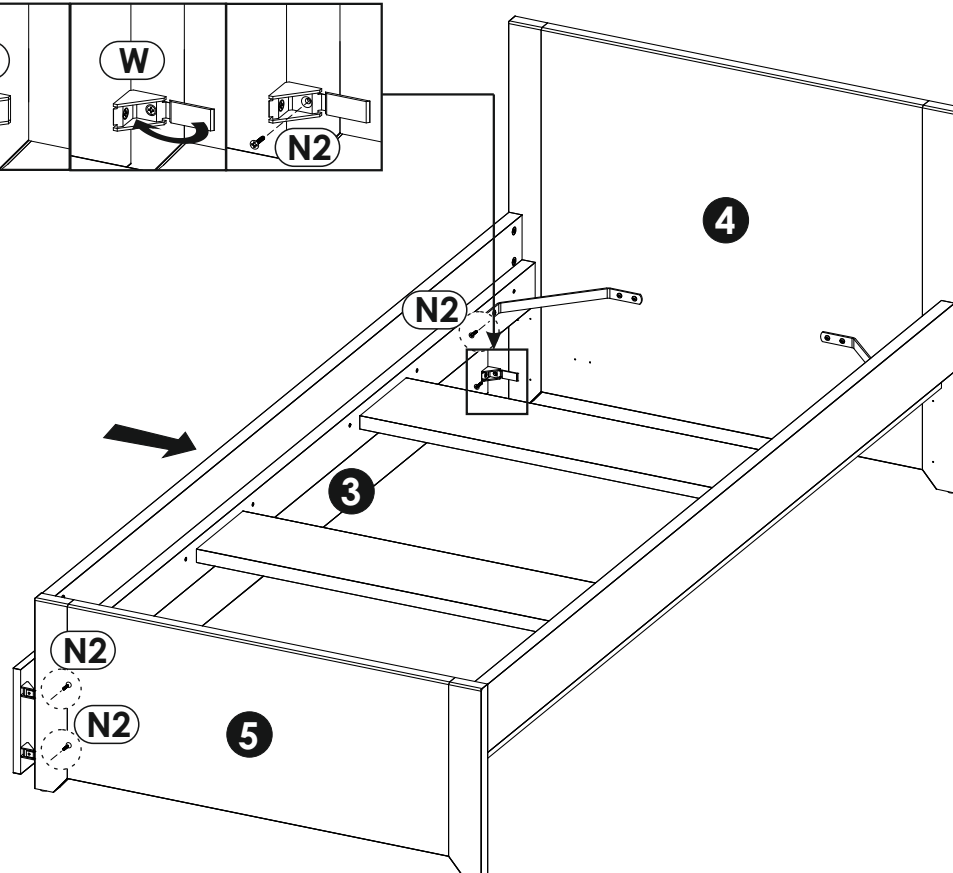
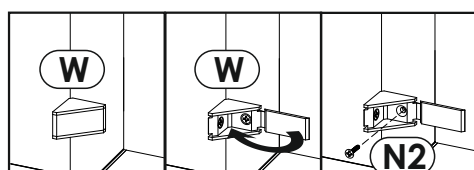
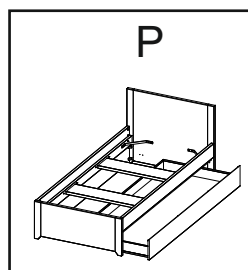
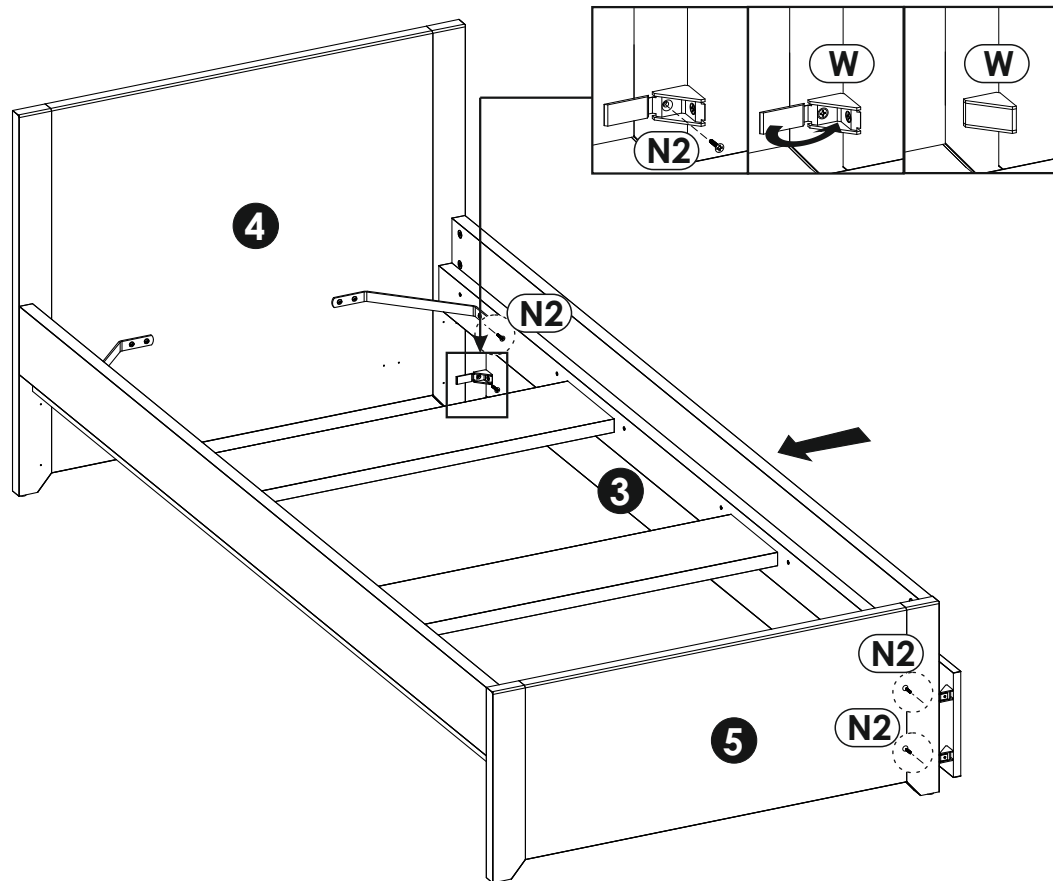
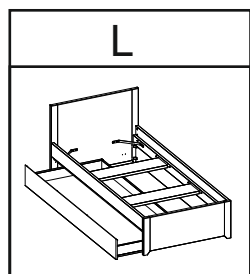
10 ▶



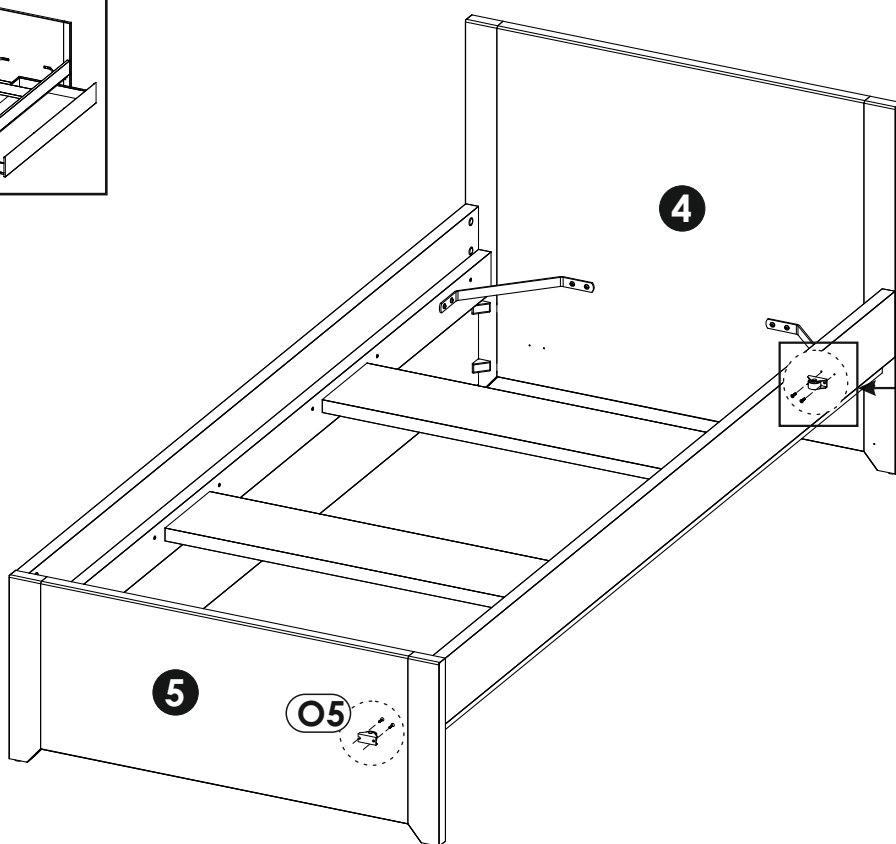
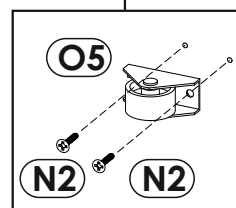
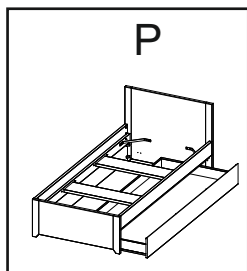
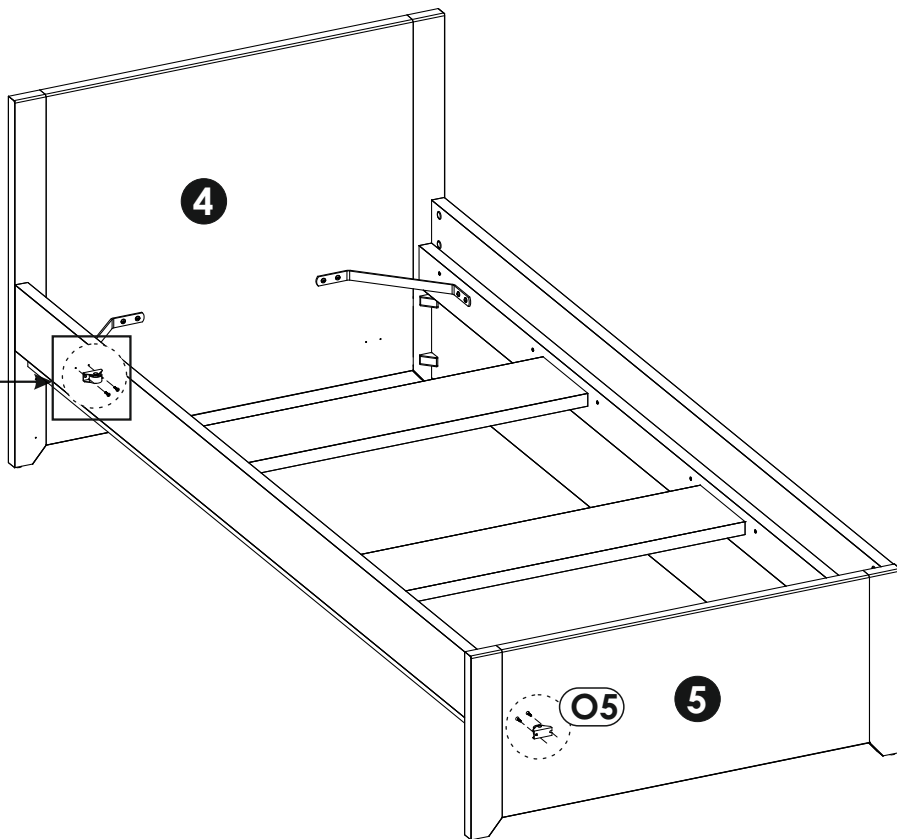
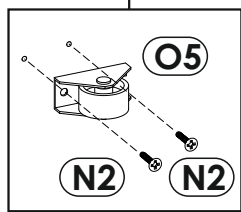
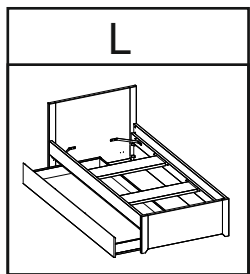
11 ▶



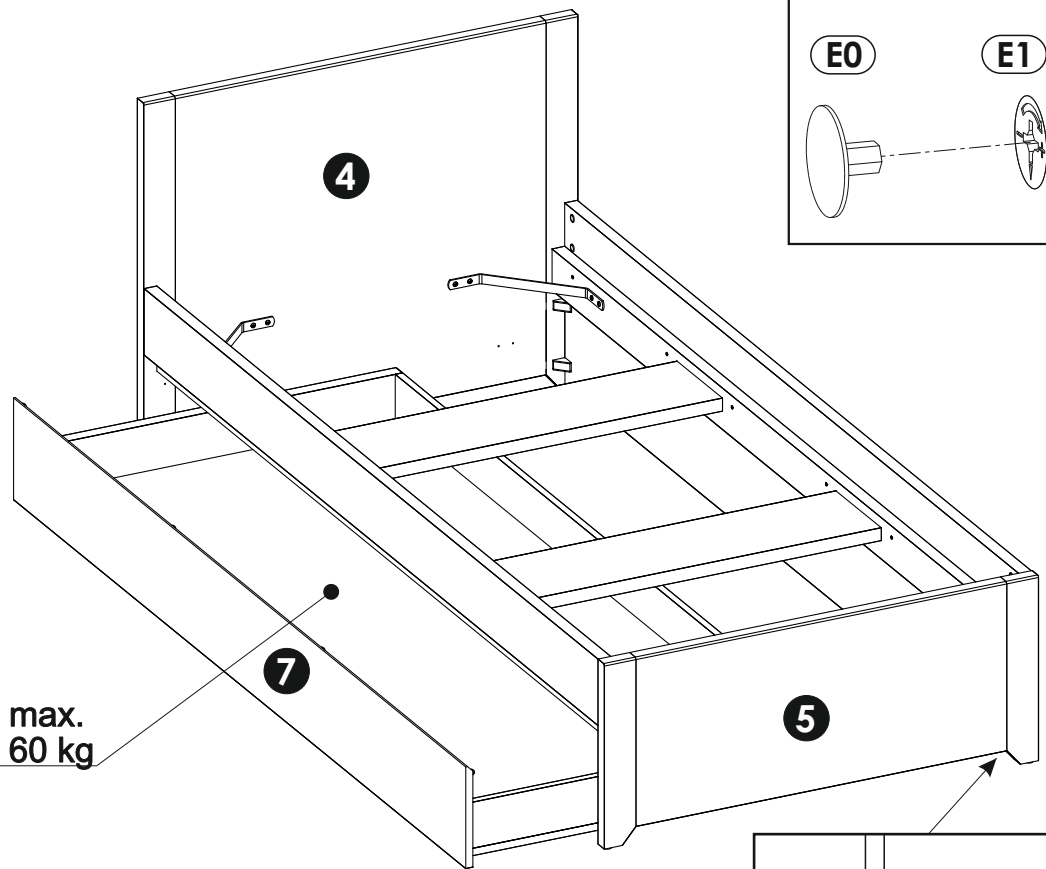
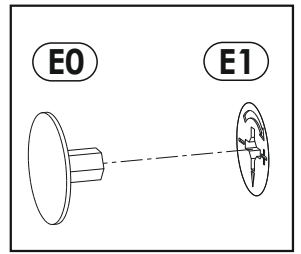
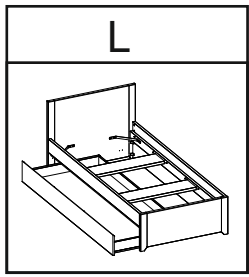
12▶



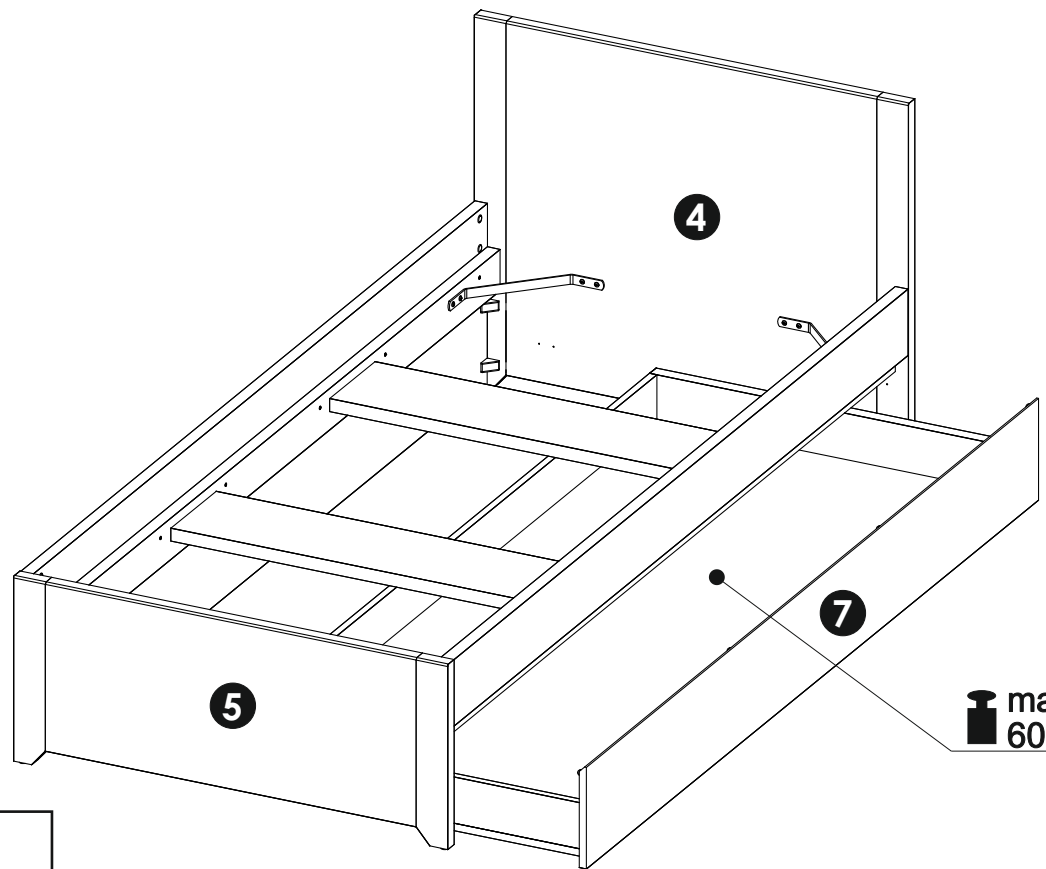
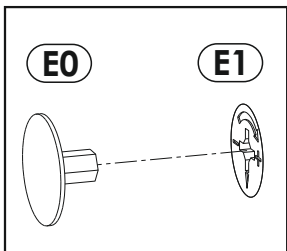
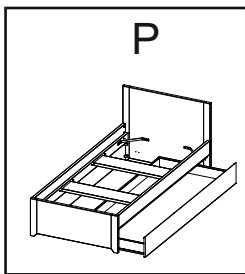
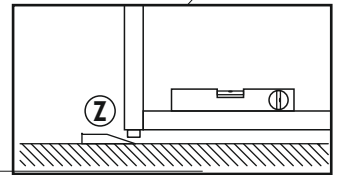
# 13 ▶



14 ▶



max.  
60 kg



max.  
60 kg

